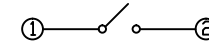
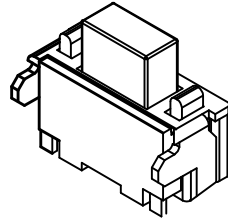
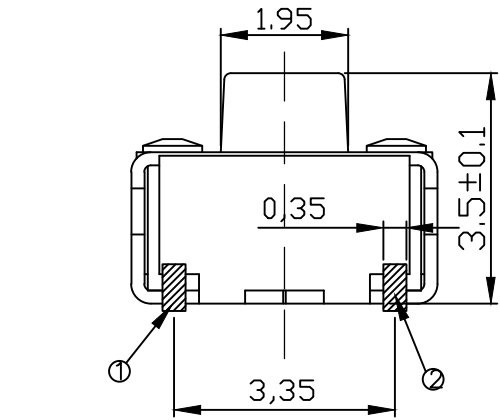
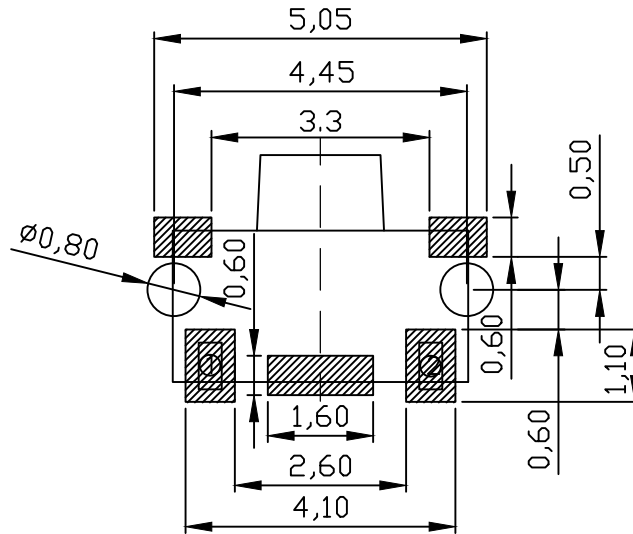
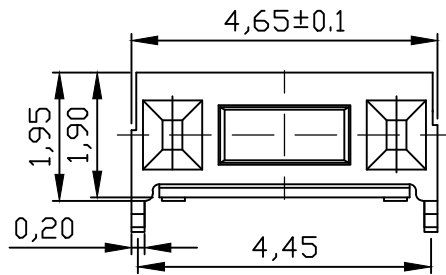
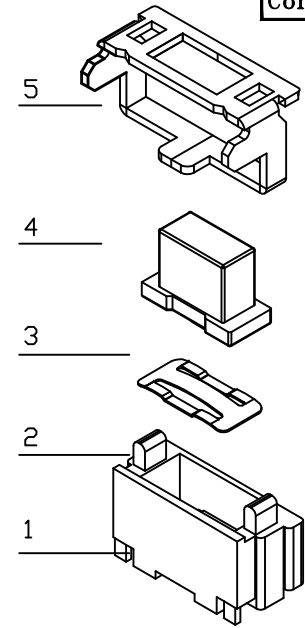


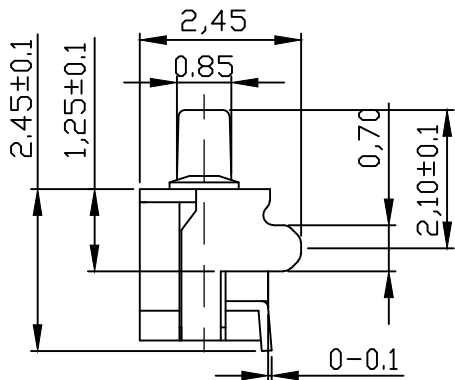
RoHS  
Compliant



电路图  
SCHEMATEC



印制线路板开孔  
P.C.B. HOLE DETAIL



主要技术规格:

1. 额定值: 0.5A DC12V
2. 接触电阻: 100mΩ
3. 操作力: 180±40gf
4. 绝缘电阻: 100MΩ
5. 抗电强度: 250V 50HZ 1Min
6. 行程: 0.20±0.1mm
7. 寿命: 50000 Cycles

材料:

- 1按钮: LCP耐温280 (白色)
- 2盖板: 磷铜 (镀银)
- 3簧片: 不锈钢 (覆银)
- 4底座: LCP耐温280 (黑色)
- 5引脚: 磷铜 (镀银)

HAOFU ELECTRONICS TECHNOLOGY CO.,LTD

COPYRIGHT RESERVED,PLEASE DO NOT COPY.

PART NAME		TACT SWITCH		DRAWING		Y,C,ZHANG	DWG.No.	SBICL
PART NO.		TD-1806AN H3.5		CHECK		G.C.Chen	REV.	A1
UNIT : mm	TOLERANCE OTHERWISE	UP TO 5	±0.2	ANGLE	APPROVAL	DATE	PAGE	25-06-2016
		ABOVE 5~30	±0.3					
		ABOVE 30	±0.5		SCALE	2:1		
		ANGLE	±3'					