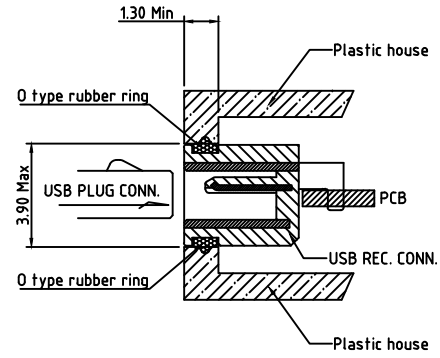
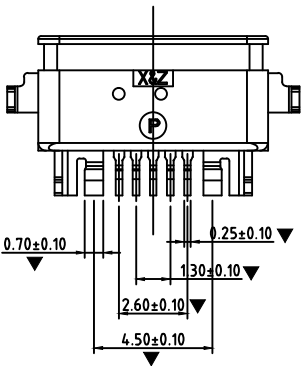
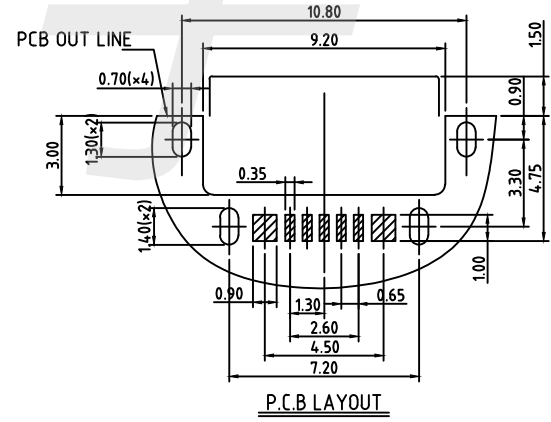
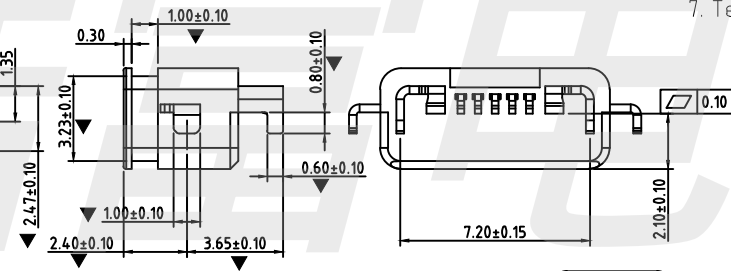
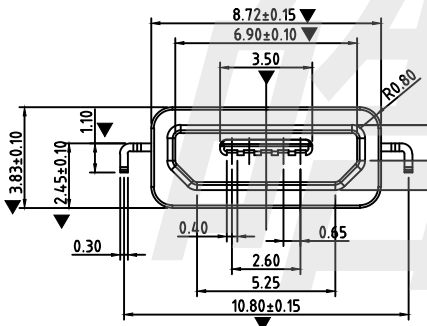
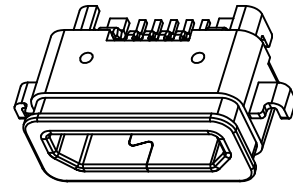
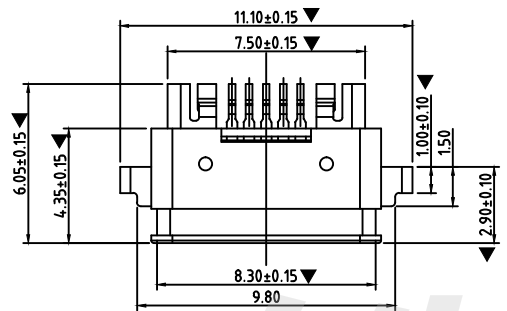


Notes:

1. Dimension shall be interpreted per ASME Y14.5M1994.
2. Dimension marked ∇ & \blacktriangledown should be checked by Q.C. and process, engineers and ∇ should also check the CPK data.

Specification:

1. Current Rating: 1.0 AMP
2. Voltage Rating: 30V AC,DC
3. Dielectric Strength: 500V AC RMS for 1 minute.
4. Contact Resistance: 30 mΩ Max.
5. Insulator Resistance: 500MΩ Min. AT 250V DC.
6. Mating/Unmating cycles: 2000cycles
7. Temperature: -20°C to +60°C



3	Shell	1	SUS304R-1/2H Ti/Ni Plating T=0.30mm	
2	Contact	5	Phosphor bronze C5210R-EH Au/Ni Plating T=0.20mm	
1	Housing	1	PA9T&LCP (G.F30%) Black	
ITEM	PART NAME	Q'TY	FINISH	NOTE

HAOFU ELECTRONCS TECHNOLOGY CO.,LTD

COPYRIGHT RESERVED,PLEASE DO NOT COPY.

PART NAME		X13 USB		DRAWING	Y,C,ZHANG	DWG.No.	SBICL
PART NO.		Micro USB 5Pin SMT B Type 规格书防水型 IP66		CHECK	G.C.Chen	REV.	A1
UNIT :	TOLERANCE OTHERWISE	UP TO 5	±0.2	APPROVAL	DATE	PAGE	1 OF 1
		ABOVE 5~30	±0.3				
mm		ABOVE 30	±0.5	SCALE	2:1		
		ANGLE	±3°				