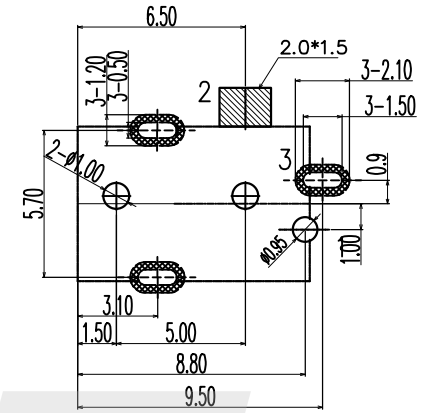
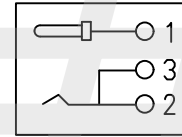
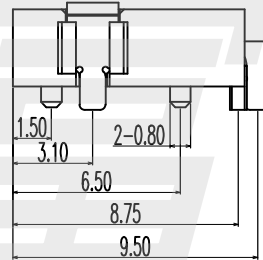
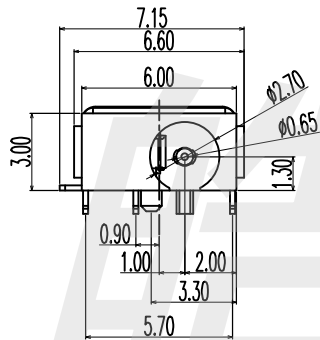


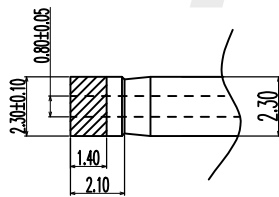
3D VIEW



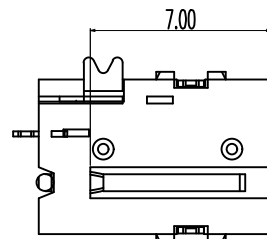
P.C.B. LAYOUT
TOP VIEW



SCHEMATIC



(DC PLUG)



NOTES:

1. CONTACT CURRENT RATING: 1A.
2. CONTACT RESISTANCE: 50 mΩ MAX.;
3. INSULATION RESISTANCE: 1000Ω MIN.;
4. DIELECTRIC WITHSTANDING: 500V AC MIN.;
5. DURABILITY: 5,000 CYCLES MIN.;
6. CONNECTOR MATING FORCES: 29.4N (3.00Kg) MAX.;
7. CONNECTOR UNMATING FORCES: 2.94N(0.30Kg) MIN.;

ITEM	PART NAME	Q'TY	MATERIAL	DESCRIPTION	REMARK
⑤	HOUSING	1	PPA		Black
④	CONTACT D	1	BRASS t=0.30	Ag-Plated	
③	CONTACT C	1	BRASS t=0.20	Au-Plated	
②	CONTACT B	1	PHOSPHOR BRONZE t=0.20	Au-Plated	
①	CONTACT A	1	BRASS Ø1.3	Ag-Plated	

HAOFU ELECTRONCS TECHNOLOGY CO.,LTD

COPYRIGHT RESERVED,PLEASE DO NOT COPY.

PART NAME		DC POWER JACK		DRAWING		Y,C,ZHANG		DWG.No.		SBICL	
PART NO.		DC-056D		CHECK		G.C.Chen		REV.		A1	
UNIT :	mm	TOLERANCE OTHERWISE	UP TO 5	±0.2	ANGLE	APPROVAL		DATE			
			ABOVE 5 ~30	±0.3							