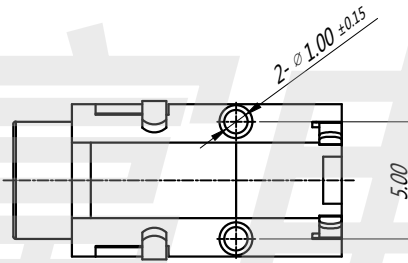
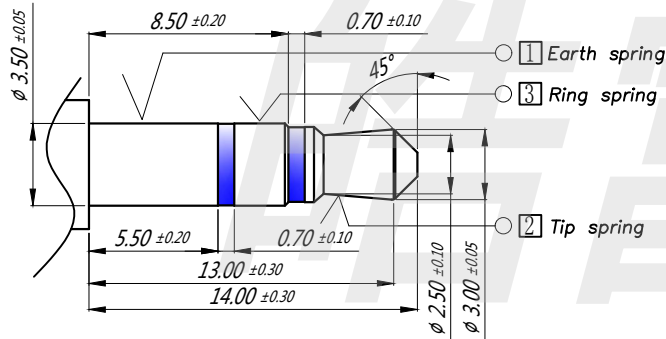


RECOMMENDED P. C. B. LAYOUT
UNSPECIFIED TOLERANCE: ±0.05
(TOP VIEW)

Matching Plug



Specification:

1. Rating : DC 30V 0.5A;
2. Contact resistance: ≤30mΩ;
After test: ≤50mΩ
3. Insulation resistance: ≥100MΩ (500VDC);
After test: ≥50MΩ
4. Withstand voltage: 500VAC ;
5. Insertion and extraction force: 3N~30N;
6. life test: 5000cycles min;
7. Operation temperature range: -20℃~70℃;
8. Preservation temperature range: -40℃~85℃.

Model No.	HLA-3503DXD
Schematic	

Circuit Diagram □ :Terminal No.

4	Ring spring	3	1	Copper Alloy	Silver/Gold plating
3	Tip spring	2	1	Copper Alloy	Silver/Gold plating
2	Earth spring	1	1	Copper Alloy	Silver/Gold plating
1	Housing	1	1	PBT4815	Black
NO.	DESCRIPTION	QTY	MATERIAL	REMARK	

HAOFU ELECTRONICS TECHNOLOGY CO.,LTD

PART NAME		PHONE JACK		DRAWING	Y,C,ZHANG	DWG.No.	SBICL
PART NO.		PJ-321		CHECK	G.C.Chen	REV.	A1
UNIT : mm	TOLERANCE	UP TO 5	±0.2	APPROVAL	SCALE	DATE	PAGE
	OTHERWISE	ABOVE 5~30	±0.3				
		ABOVE 30	±0.5		2:1		
		ANGLE	±3°				

COPYRIGHT RESERVED,PLEASE DO NOT COPY.