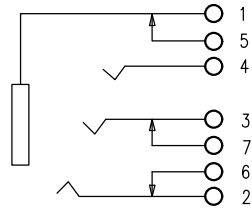
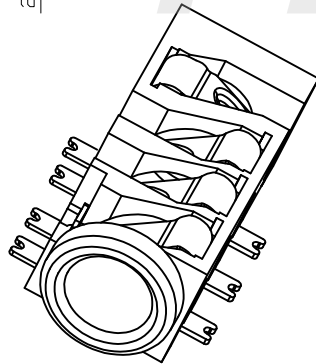
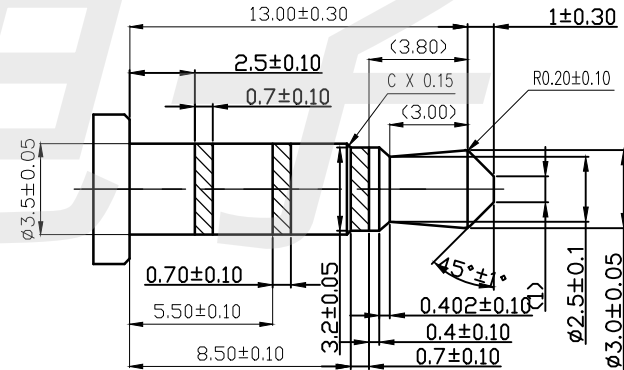


PCB LAYOUT TOP VIEW



CIRCUIT DIAGRAM

| ⑤ | HOUSING PH-PJ-393-L 3 | 1 | HTN (Black) | |
|-----|-------------------------|-----|-------------------------|-----------|
| ④ | TERMINAL MT-PJ-393-4Q S | 1 | PHOSPHOR BRONZE t=0.20 | Ag-Plated |
| ③ | TERMINAL MT-PJ-393-3Q S | 2 | PHOSPHOR BRONZE t=0.20 | Ag-Plated |
| ② | TERMINAL MT-PJ-393-2Q S | 1 | PHOSPHOR BRONZE t=0.20 | Ag-Plated |
| ① | TERMINAL MT-PJ-393-1Q S | 4 | PHOSPHOR BRONZE t=0.25 | Ag-Plated |
| No. | PART NAME | QTY | MATERIAL (THICK, COLOR) | REMARK |

HAOFU ELECTRONCS TECHNOLOGY CO.,LTD

PART NAME PHONE JACK DRAWING Y,C,ZHANG DWG.No. SBICL

PART NO. PJ-393 CHECK G.C.Chen REV. A1

UNIT : mm TOLERANCE UP TO 5 ±0.2 ABOVE 5~30 ±0.3 ABOVE 30 ±0.5 ANGLE 0°±3' APPROVAL SCALE 2:1 DATE

COPYRIGHT RESERVED,PLEASE DO NOT COPY.

SCALE 2:1 PAGE 1 OF 1