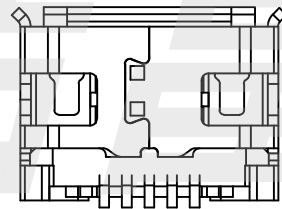
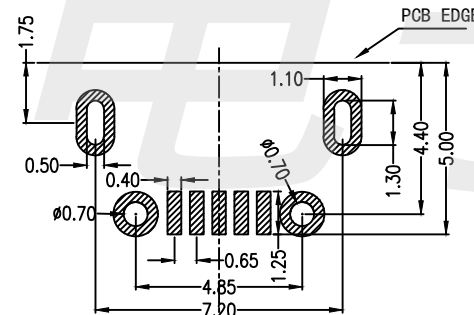


不锈钢双铆合



铜壳单铆合



PCB图仅供参考

Note:

1.Material:

- 1.1 Housing: High temperature thermoplastic with g.f,UL94v-0
- 1.2 Contact: copper alloy,t=0.15mm
- 1.3 Shell: copper alloy,t=0.30mm

2.Specification:

- 2.1 Current rating:1,5PIN 1.8A Max/2,3,4PIN 1A Max.
- 2.2 Dielectric withstanding voltage: 100 V(ac) for 1 min.
- 2.3 Contact resistance: 30 mΩ Max.
- 2.4 Insulation resistance: 100 MΩ Min.
- 2.5 Total mating force: 3.57 Kgf Max.
- 2.6 Total unmating force: 1.0 Kgf Min.
- 2.7 Temperature range: -30°C~80°C

A 01 S B X X X X X XX-263
① ② ③ ④ ⑤ ⑥ ⑦ ⑧ ⑨ ⑩ ⑪

外壳材质
1: 02680R-H
7: SUS304R-1/2H

外壳电镀
1: N50u''
2: 雾T50u''
3: N+Au1u'' (脚)
4: Au1u''

端子电镀 01: Au1u'' ; 02: Au1.5u'' ; 03: Au3u''
05: Au5u'' ; 10: Au10u'' ; 15: Au15u'' ; 30: Au30u''
主体颜色 B: 黑色
主体材质 1: LCP
端子材质 4: C5191R-EH

HAOFU ELECTRONCS TECHNOLOGY CO., LTD

COPYRIGHT RESERVED,PLEASE DO NOT COPY.

PART NAME		CONNECTOR		DRAWING	Y,C,ZHANG	DWG.No.	SBICL
PART NO.		MIRCO USB 5S B TYPE 四脚全插(牛角型)短针脚长1.2版		CHECK	G.C.Chen	REV.	A1
UNIT : mm	TOLERANCE	UP TO 5	±0.2	APPROVAL	SCALE	DATE	
	OTHERWISE	ABOVE 5~30	±0.3			PAGE	1 OF 1
		ABOVE 30	±0.5		2:1		
		ANGLE	±3°				