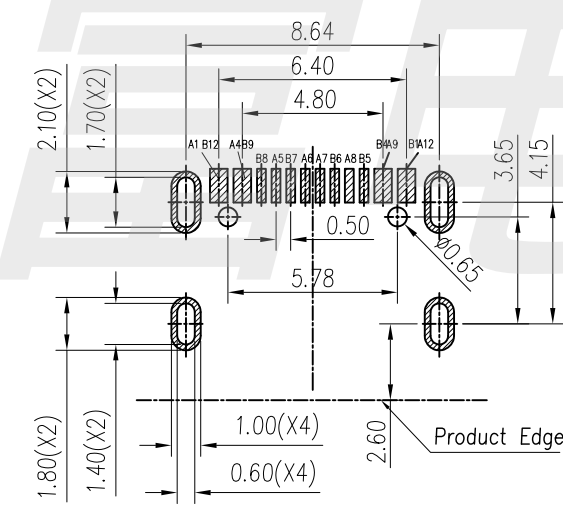
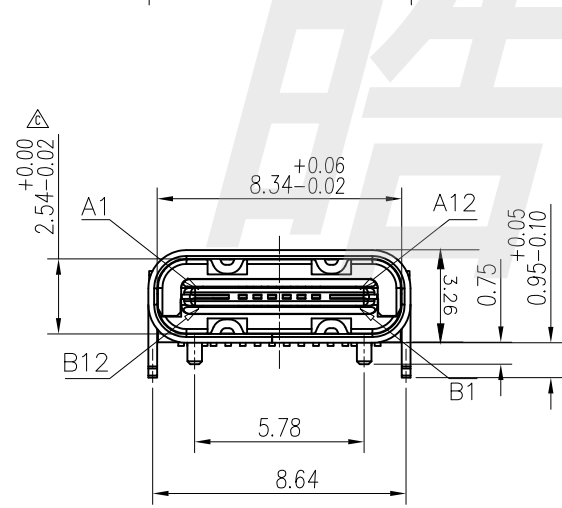


A1	GND	B12	GND
A4	VBUS	B9	VBUS
A5	CC1	B8	SBU2
A6	DP1	B7	DN2
A7	DN1	B6	DP2
A8	SBU1	B5	CC2
A9	VBUS	B4	VBUS
A12	GND	B1	GND
PIN	SIGNAL NAME	PIN	SIGNAL NAME



RECOMMENDED P.C.B. LAYOUT
TOLERANCE UNSPECIFIED ±0.05mm

注解:

规格描述:

1. 额定电流: 3A MAX
2. 额定电压: 20V DC MAX
3. 介质承受电压: 100 VAC 1MINUTE
4. 工作温度: -30 °C ~ 85 °C
5. 接触阻抗: 40 MILLIONHM MAX
6. 绝缘阻抗: 100 MEGOHMS MIN.
7. 插入力: 5N~20N
8. 拔出力: 8N~20N
9. 寿命耐久: 3000 次
10. 盐雾: 24H

NO.	PART NAME	Q' TY	MATERIAL	FINISH
4	Shell	1	C2680-EH 0.3*30mm	80u"Ni Min.
3	Down Contact	1	C2680-EH 0.15*16.8mm	Au/50-80u"Ni Min.
2	Top Contact	1	C2680-EH 0.15*17.8mm	Au/50-80u"Ni Min.
1	Housing	1	LCP or PA	UL 94 V-0

HAOFU ELECTRONCS TECHNOLOGY CO.,LTD

COPYRIGHT RESERVED,PLEASE DO NOT COPY.

PART NAME		CONNECTOR		DRAWING		Y,C,ZHANG		DWG.No.		SBICL	
PART NO.		TYPE-C 2.0 16PIN SMT-2		CHECK		G.C.Chen		REV.		A1	
UNIT :	TOLERANCE OTHERWISE	UP TO 5	±0.2	ANGLE	APPROVAL		DATE				
		ABOVE 5~30	±0.3		SCALE		PAGE		1 OF 1		
mm		ABOVE 30	±0.5	0°±5'			2:1				