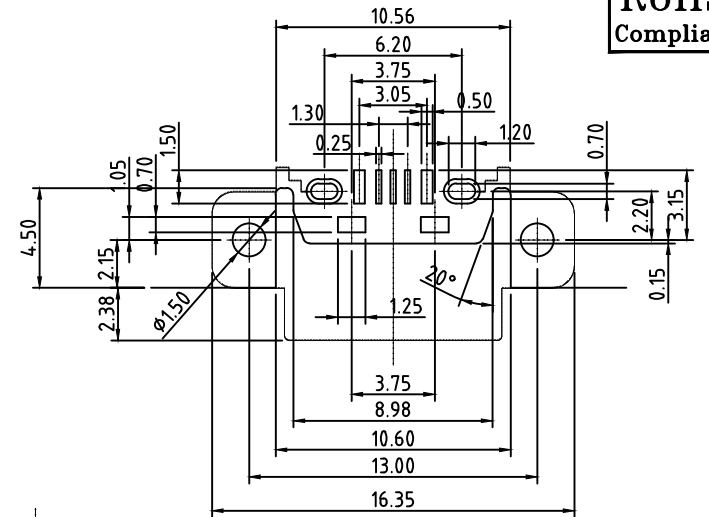
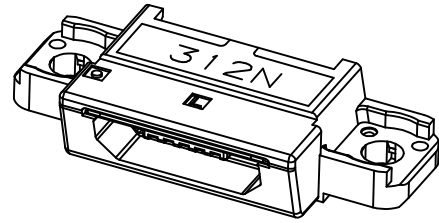
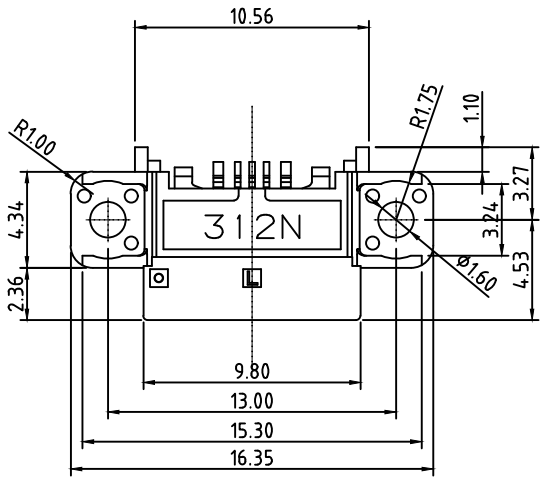
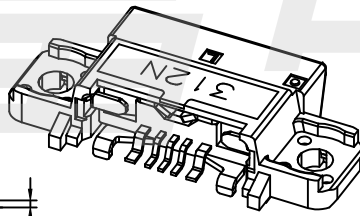
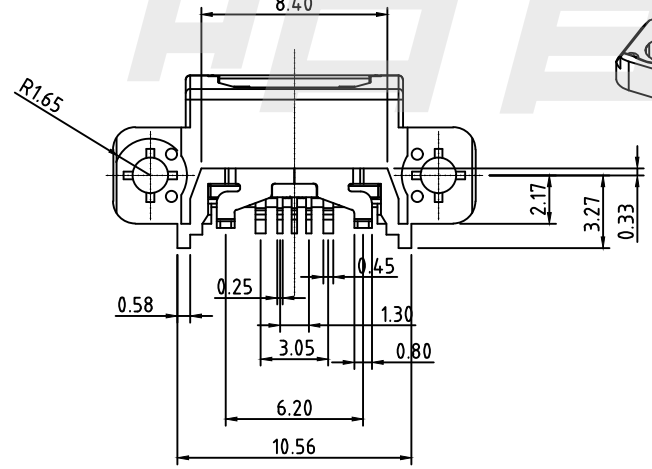
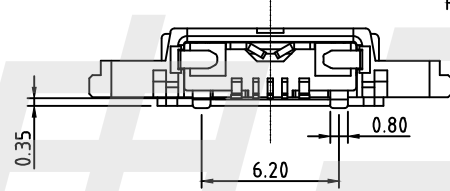
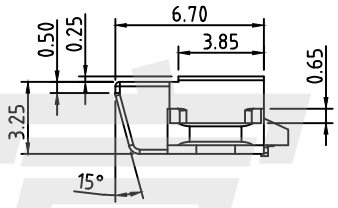
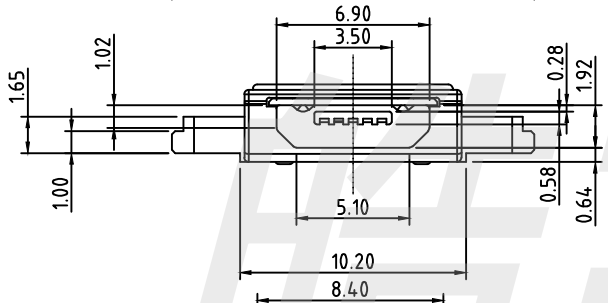


RoHS  
Compliant



RECOMMEND PCB LAYOUT(TOP VIEW)  
GENERAL TOLERANCE ±0.05



- 1 CURRENT RATING: 0.5A(2.3.4CONTACT)/1.8A(1.5CONTACT) MAX.
- 2 VOLTAGE: 30 VAC
- 3 TEMPERATURE RANGE: -30 °C ~ 85 °C
- 4 CONTACT RESISTANCE: 30 MILLIONHM MAX.
- 5 DIELECTRIC WITHSTANDING VOLTAGE: 250 VAC r.m.s
- 6 INSULATION RESISTNAGE: 100 MEGOHMS MIN

4	SHELL-2	STAINLESS STEEL T=0.30mm	NI Plated	1PCS
3	CONTACT	COPPER ALLOY T=0.15mm	Au/Ni Plated	1PCS
2	HOUSING	High temperature plastic	BLACK	1SET
1	SHELL-1	STAINLESS STEEL T=0.30mm	MATTE TIN/Ni Plated	1PCS
NO.	DESCRIPTION	MATERIAL	REMARKS	QTY

HAOFU ELECTRONCS TECHNOLOGY CO.,LTD

COPYRIGHT RESERVED,PLEASE DO NOT COPY.

PART NAME		CONNECTOR		DRAWING	Y,C,ZHANG	DWG.No.	SBICL
PART NO.		MICRO USB 5P SMT TYPE 防尘带锁孔(X20)		CHECK	G.C.Chen	REV.	A1
UNIT :	mm	TOLERANCE	UP TO 5	±0.2	APPROVAL	DATE	PAGE
		OTHERWISE	ABOVE 5~30	±0.3			
			ABOVE 30	±0.5	SCALE	2:1	1 OF 1
			ANGLE	±3°			