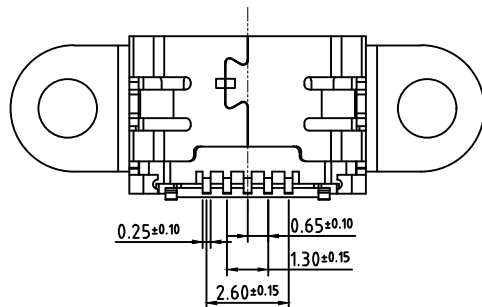
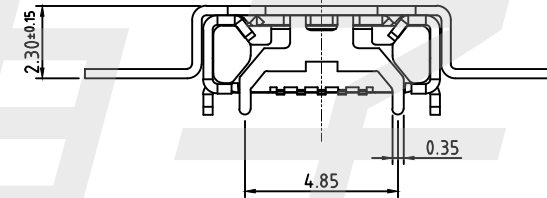
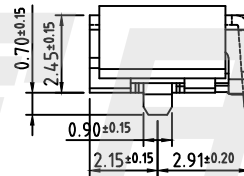
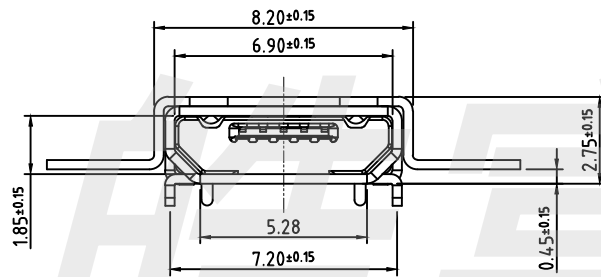


RECOMMEND PCB LAYOUT(TOP VIEW)
GENERAL TOLERANCE ±0.05



SPECIFICATION:

- 1 CURRENT RATING: 0.5A(2.3.4CONTACT)/1.8A(1.5CONTACT) MAX.
- 2 VOLTAGE: 30 VAC
- 3 TEMPERATURE RANGE: -30 °C ~ 85 °C
- 4 CONTACT RESISTANCE: 30 MILLIONHM MAX.
- 5 DIELECTRIC WITHSTANDING VOLTAGE: 250 VAC r.m.s
- 6 INSULATION RESISTNACE: 100 MEGOHMS MIN

| 4 | SHELL-2 | STAINLESS STEEL T=0.30mm | NI Plated | 1PCS |
|-----|-------------|--------------------------|---------------------|------|
| 3 | CONTACT | COPPER ALLOY T=0.15mm | Au/Ni Plated | 1PCS |
| 2 | HOUSING | High temperature plastic | BLACK | 1SET |
| 1 | SHELL-1 | STAINLESS STEEL T=0.30mm | MATTE TIN/Ni Plated | 1PCS |
| NO. | DESCRIPTION | MATERIAL | REMARKS | QTY |

HAOFU ELECTRONCS TECHNOLOGY CO.,LTD

COPYRIGHT RESERVED,PLEASE DO NOT COPY.

| PART NAME | | CONNECTOR | | DRAWING | Y,C,ZHANG | DWG.No. | SBICL |
|-----------|-----------|---|------|---------|-----------|---------|-------|
| PART NO. | | MICRO USB 5P SMT TYPE 贴板牛角带锁孔无翻边(X3T-2) | | CHECK | G.C.Chen | REV. | A1 |
| UNIT : | TOLERANCE | UP TO 5 | ±0.2 | ANGLE | APPROVAL | DATE | |
| | OTHERWISE | ABOVE 5~30 | ±0.3 | | | | |
| mm | | ABOVE 30 | ±0.5 | | | | |
| | | ANGLE | ±3° | | | | |