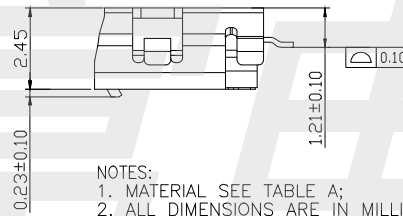
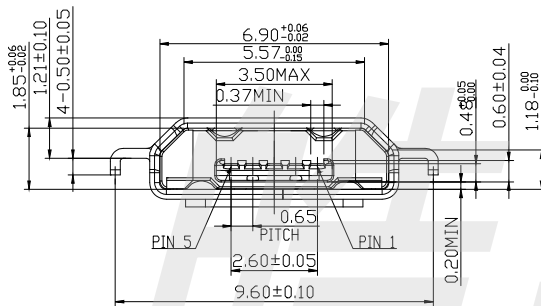


RECOMMENDED PCB LAYOUT
(GENERAL TOLERANCE ±0.05) (TOP VIEW)



NOTES:

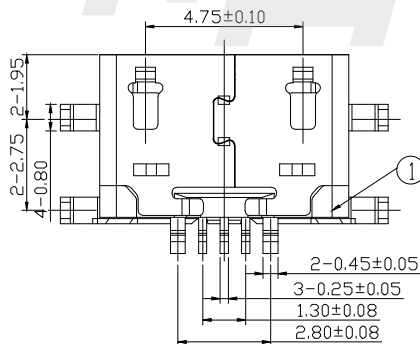
- MATERIAL SEE TABLE A;
- ALL DIMENSIONS ARE IN MILLIMETERS;
- ELECTRICAL PERFORMANCES:
 - CURRENT RATING:
 - PIN2#,PIN3#&PIN4#: 1.0A MIN;
 - PIN1#&PIN5:3.0A MIN;
 - (3.1.1 DOME 板上 PIN 1# 和 PIN 5# 走线宽度要求大于 3.0mm,
 - 3.1.2 测试时 PIN 1# 和 PIN 5# 通过测试, 其他 PIN 不需要测试;
 - 3.1.3 测试时充电线需要使用 22AWG;
 - INSULATION RESISTANCE:
 - 1000 MIGA OHMS MIN. INITIAL AT 100 VDC;
 - 100 MIGA OHMS MIN. AFTER TEST AT 100 VDC;
 - LOW LEVEL CONTACT RESISTANCE:
 - 30 MILLI OHMS MAX. INITIAL;
- MECHANICAL PERFORMANCES:
 - STORAGE TEMPERATURE: -40°C TO +85°C;
 - OPERATING TEMPERATURE: -40°C TO +85°C;
 - INSERT FORCE: 0~25N;
 - EXTRAC FORCE: 8~25N;
 - MATING DURABILITY: 10000 CYCLES;
 - INSERT FORCE AND EXTRACT FORCE 10000 CYCLES IS FIT FOR THE USB SPECIFICATION;
- CONNECTOR LOCATION PROFILE;
- PIN SEE TABLE B;

TABLE B:

| Contact Number | Signal Name | Typical Wiring Assignment |
|----------------|-------------|---------------------------|
| PIN 1 | VBUS | Red |
| PIN 2 | D- | White |
| PIN 3 | D+ | Green |
| PIN 4 | ID | <Ra_PLUG_ID |
| PIN 5 | GND | Black |
| SHELL | Shield | Drain Wire |

TABLE A:

| ITEM | NAME | Q'TY | MATERIAL / FINISH |
|------|---------|------|---|
| 3 | SHELL | 1 | SUS304-1/2H,T=0.30MM SOLDERTAILS AREA PLATED Au 1u" UNDERPLATED NICKEL 50u"MIN. |
| 2 | CONTACT | 5 | NKC286-1/2H,T=0.15MM/50u"MIN NICKEL CONTACT AREA:15u"MIN.GOLD PLATING SOLDER TAIL:2u"MIN.GOLD PLATING |
| 1 | HOUSING | 1 | THERMOPLASTIC UL 94V-0 BLACK |



HAOFU ELECTRONCS TECHNOLOGY CO.,LTD

COPYRIGHT RESERVED,PLEASE DO NOT COPY.

| PART NAME | | CONNECTOR | DRAWING | Y,C,ZHANG | DWG.No. | SBICL |
|-----------|-----------|---|----------|-----------|---------|--------|
| PART NO. | | MICRO USB 5P SMT TYPE斜口沉板 0.95 | CHECK | G.C.Chen | REV. | A1 |
| UNIT : | TOLERANCE | UP TO 5 ±0.2 | APPROVAL | SCALE | DATE | PAGE |
| | OTHERWISE | ABOVE 5~30 ±0.3 ABOVE 30 ±0.5 ANGLE ±3° | | | | |
| mm | | | | 2:1 | | 1 OF 1 |