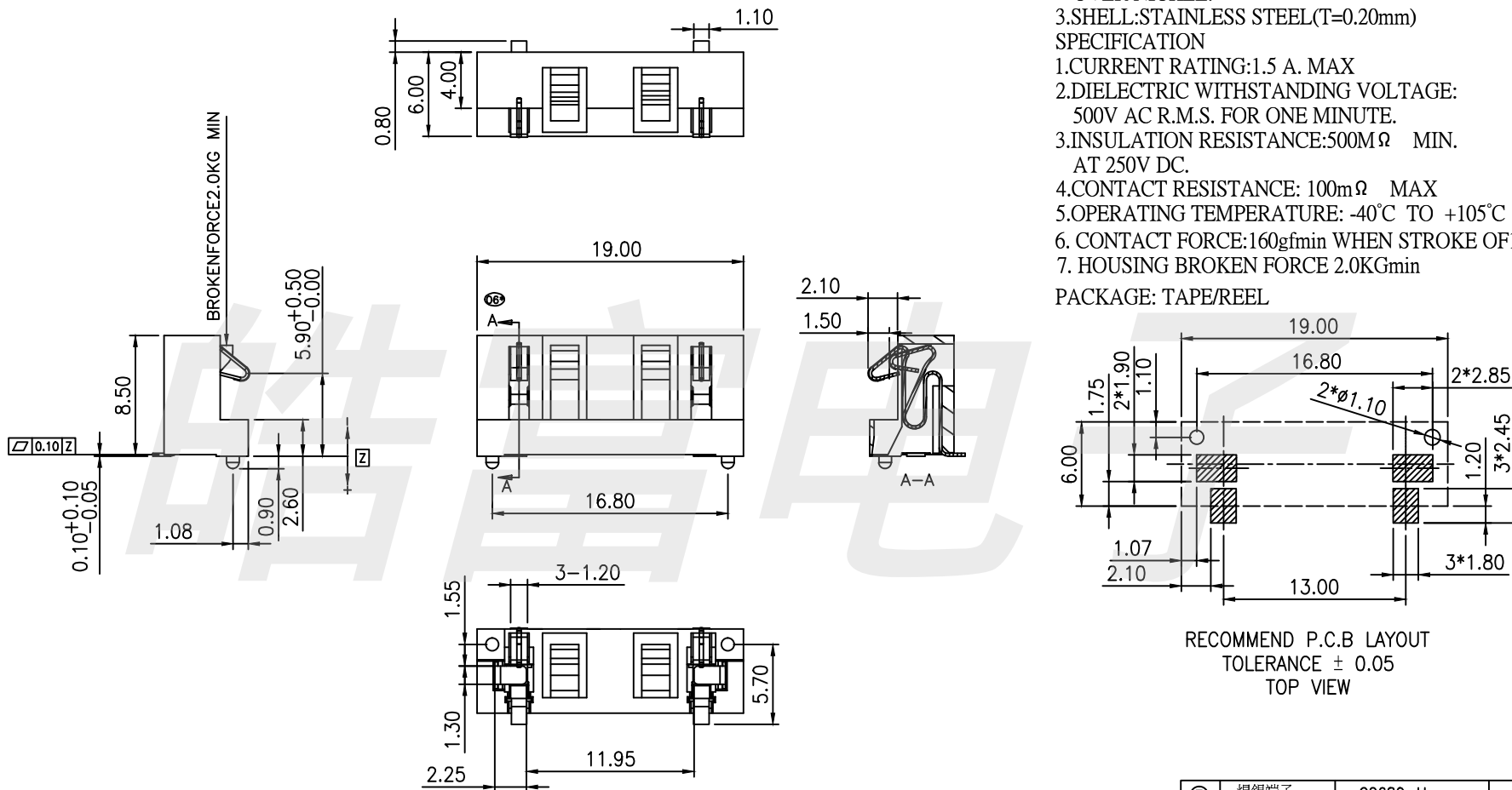


MATERIALS
 1.HOUSING:HI/-TEMP.
 2.TERMINAL:COPPER ALLOY(T=0.20mm).GOLD PLATED OVER NICKEL.
 3.SHELL:STAINLESS STEEL(T=0.20mm)
 SPECIFICATION
 1.CURRENT RATING:1.5 A. MAX
 2.DIELECTRIC WITHSTANDING VOLTAGE:
 500V AC R.M.S. FOR ONE MINUTE.
 3.INSULATION RESISTANCE:500MΩ MIN. AT 250V DC.
 4.CONTACT RESISTANCE: 100mΩ MAX
 5.OPERATING TEMPERATURE: -40℃ TO +105℃
 6. CONTACT FORCE:160gfmin WHEN STROKE OF 1.5mm
 7. HOUSING BROKEN FORCE 2.0KGmin
 PACKAGE: TAPE/REEL



RECOMMEND P.C.B LAYOUT
 TOLERANCE ± 0.05
 TOP VIEW

③	焊錫端子	C2680-H		
②	接觸端子	C5210R-EH	GOLD	
①	膠芯	PA9T	BLACK	UL94-V0
NO.	DESCRIPTION	MATERIAL	COLOR	REMARK

HAOFU ELECTRONICS TECHNOLOGY CO.,LTD

COPYRIGHT RESERVED,PLEASE DO NOT COPY.

PART NAME		CONNECTOR		DRAWING		Y,C,ZHANG		DWG.No.		SBICL	
PART NO.		BC2P13H85		CHECK		G.C.Chen		REV.		A1	
UNIT :	TOLERANCE OTHERWISE	UP TO 5 ±0.2 ABOVE 5~30 ±0.3 ABOVE 30 ±0.5 ANGLE	ANGLE	APPROVAL		DATE		23-07-2016			
				mm	0°±3'	SCALE	2:1	PAGE	1 OF 1		