

性能:

额定电流: 2.0A

额定电压: 12V

耐电压: 500V

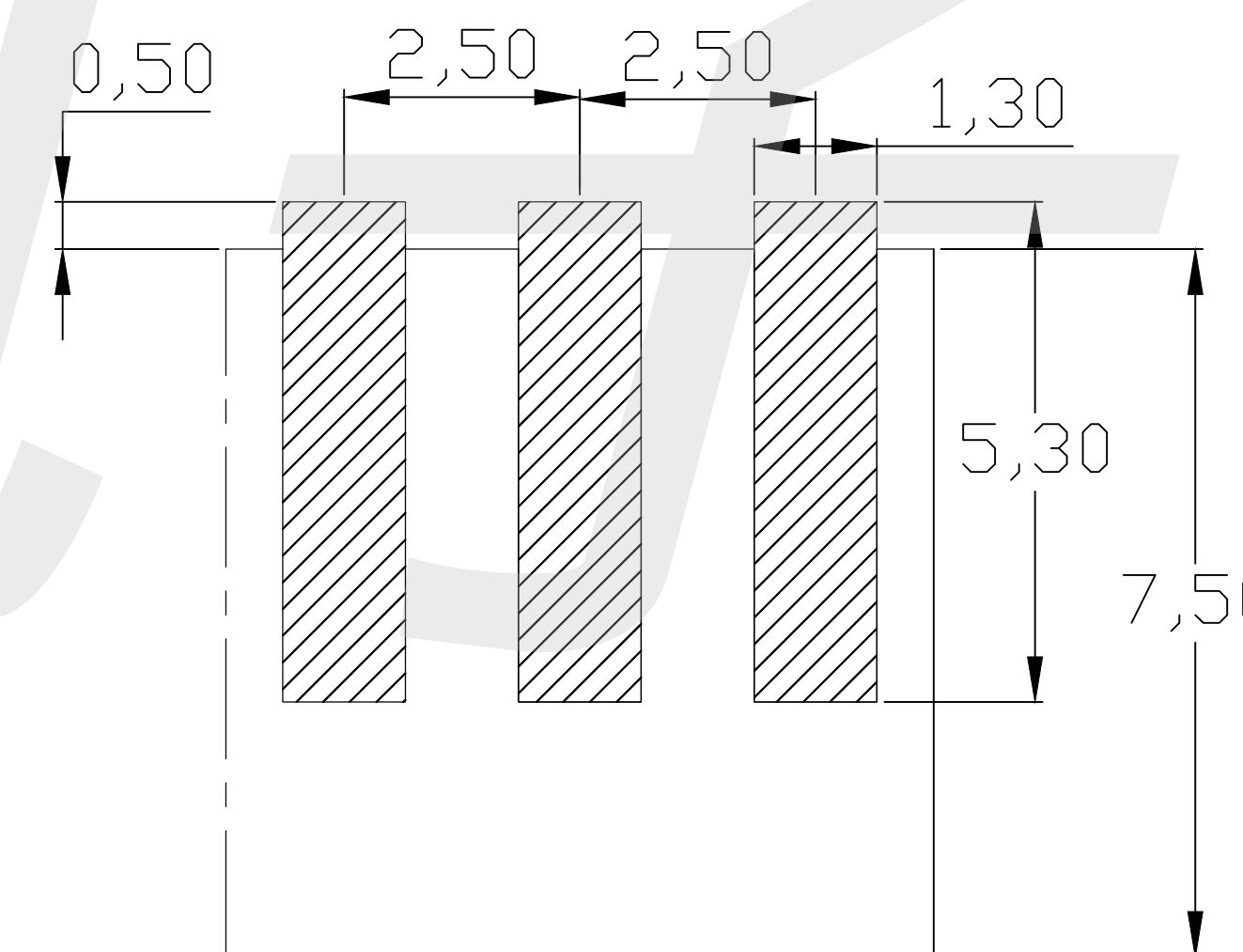
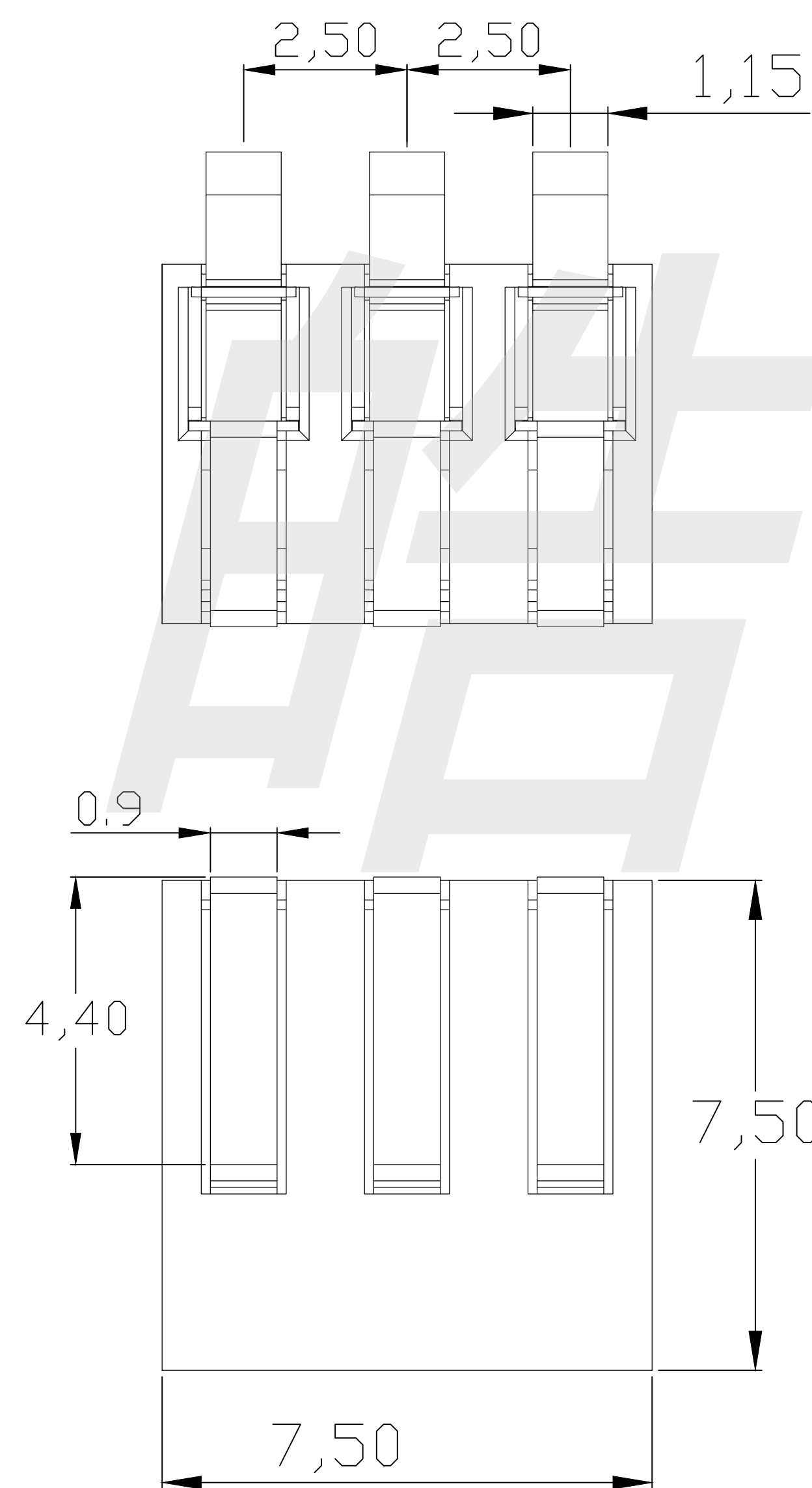
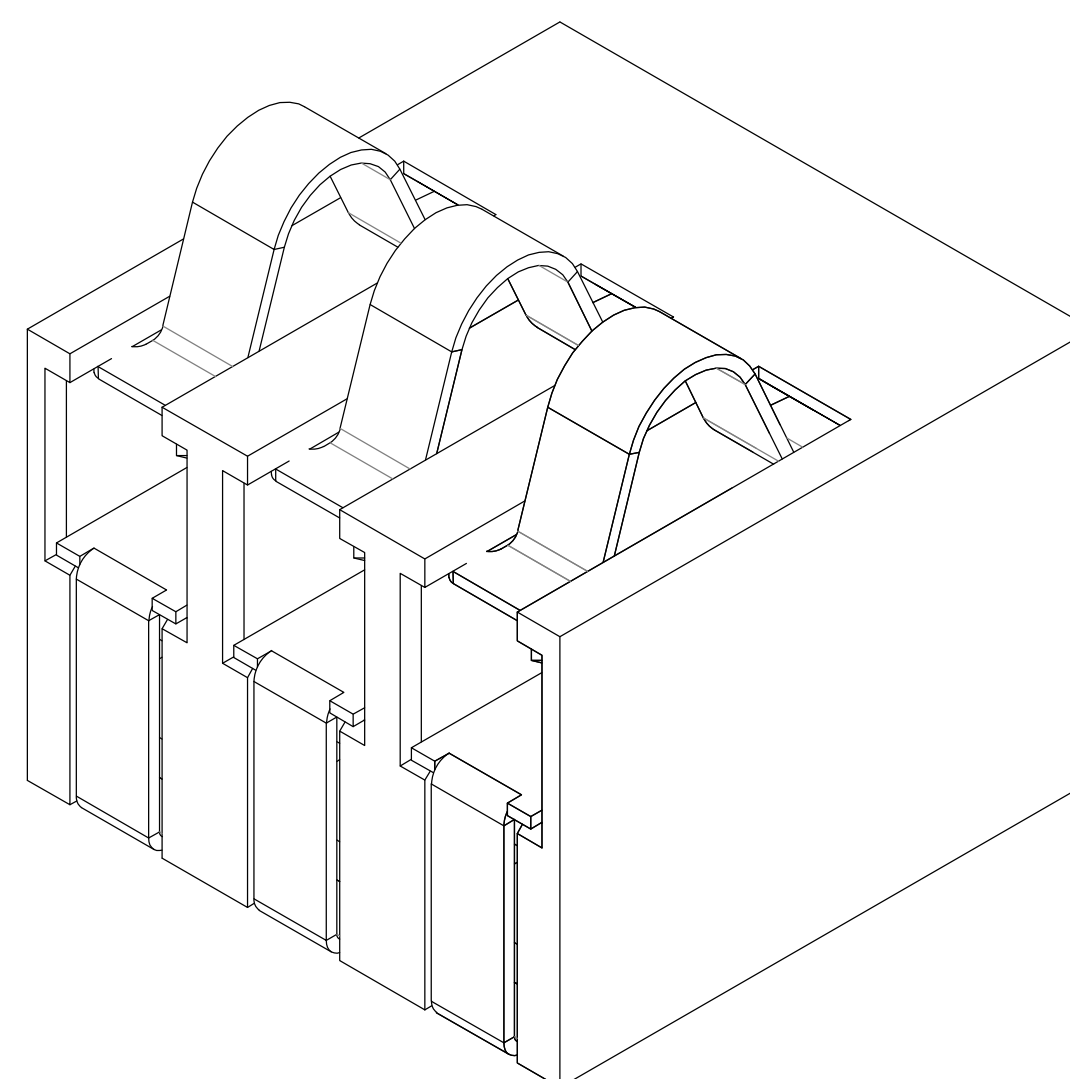
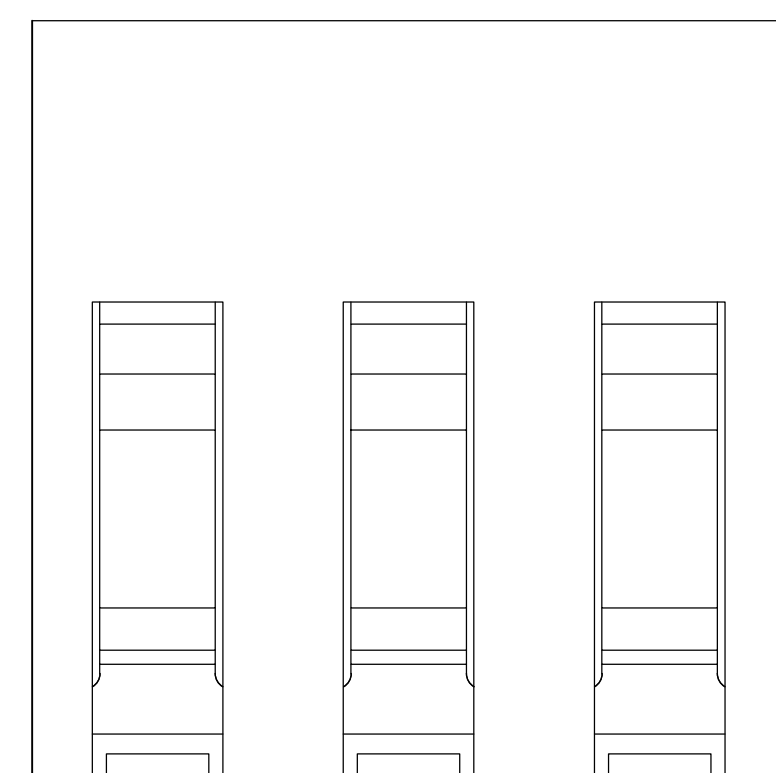
接触电阻: 30mΩ

绝缘电阻: 500MΩ

工作温度: -40℃~+85℃

塑件(材质): LCP

接触点(材质): 磷铜, 镀金



RECOMMENDED PCB LAYOUT
TOP VIEW (. XX±0.05)

HAOFU ELECTRONICS TECHNOLOGY CO.,LTD

COPYRIGHT RESERVED,PLEASE DO NOT COPY.

PART NAME		CONNECTOR		DRAWING	Y,C,ZHANG	DWG.No.	SBICL
PART NO.		BC3P25H725		CHECK	G.C.Chen	REV.	A1
UNIT : mm	TOLERANCE	UP TO 5	±0.2	ANGLE	APPROVAL	DATE	22-08-2018
	OTHERWISE	ABOVE 5~30	±0.3				