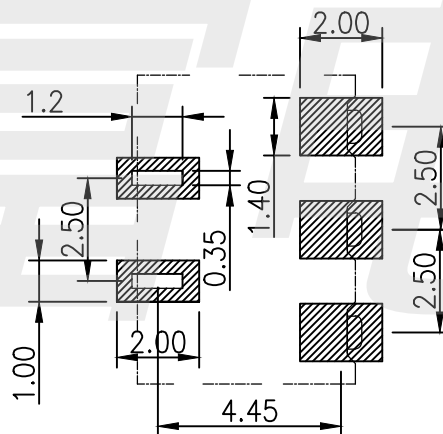
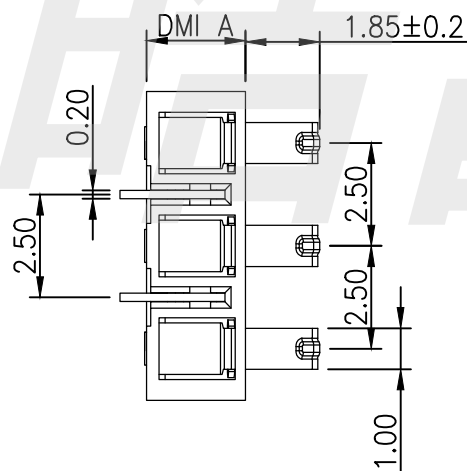
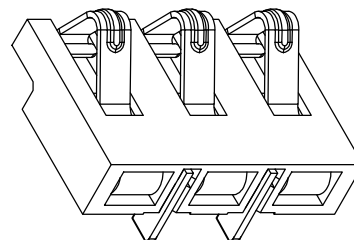
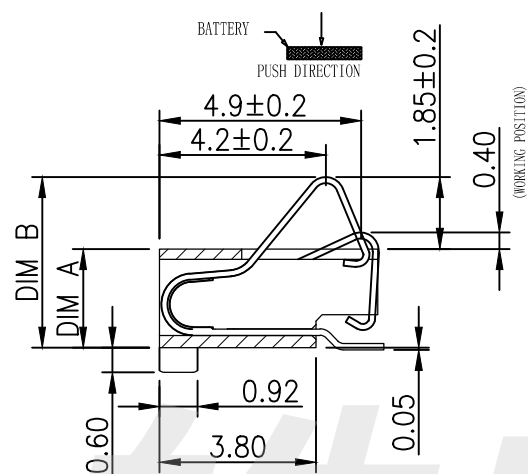
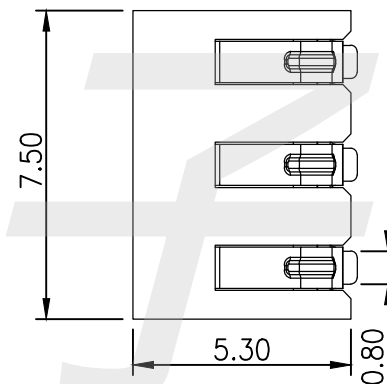


性能:

- 额定电流: 2.0A
- 额定电压: 12V
- 耐电压: 500V
- 接触电阻: 30mΩ
- 绝缘电阻: 500MΩ
- 工作温度: -40℃~+85℃
- 塑件(材质): LCP
- 接接触点(材质): 磷铜, 触点镀金3U"



RECOMMENDED PCB LAYOUT
TOP VIEW(.XX±0.05)



PART NO.	DIM A	DIM B
BC3P25H43-C	2.4	4.30±0.2
BC3P25H49-C	3.0	4.90±0.2
BC3P25H54-C	3.5	5.40±0.2

HAOFU ELECTRONICS TECHNOLOGY CO.,LTD

COPYRIGHT RESERVED,PLEASE DO NOT COPY.

PART NAME		CONNECTOR		DRAWING	Y,C,ZHANG	DWG.No.	SBICL
PART NO.		BC3P25HXX-C		CHECK	G.C.Chen	REV.	A1
	UNIT :	TOLERANCE	UP TO 5	ANGLE	APPROVAL	DATE	25-03-2018
	mm	OTHERWISE	ABOVE 5~30				
			±0.2	0°±3'	SCALE	PAGE	1 OF 1
			±0.3				
			±0.5				
			±3'				