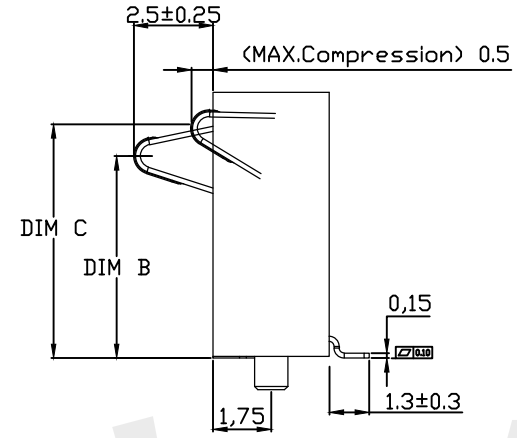
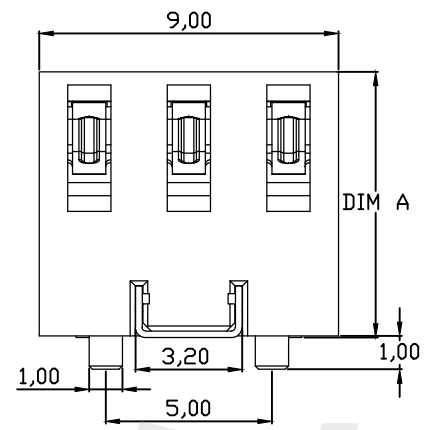
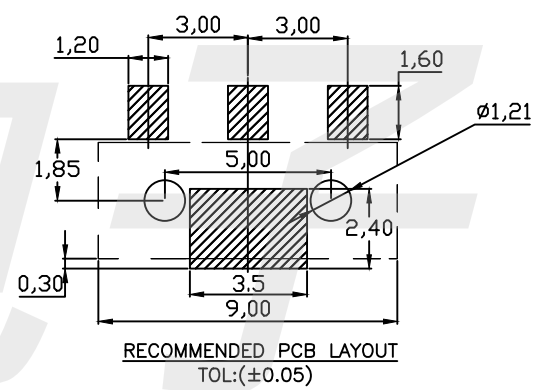
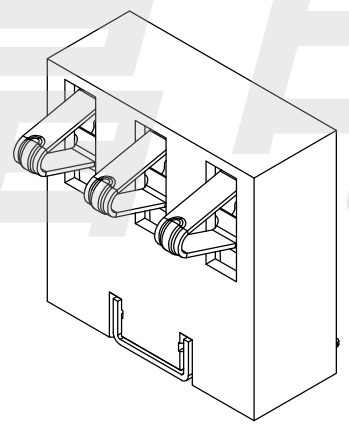
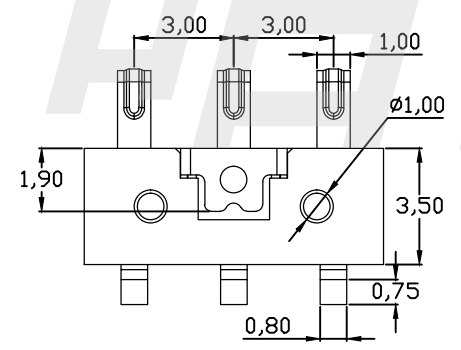


RoHS  
Compliant



**SPECIFICATIONS**

1. ELECTRICAL CHARACTERISTICS:
  - 1-1.RATING: DC 20V 3A max
  - 1-2.CONTACT RESISTANCE: 20mΩ MAX(INITAL)
  - 1-3.DIELECTRIC WITHSTANDING VOLTAGE: 500V AC FOR ONE MINUTE
  - 1-4.INSULATION RESISTANCE: 100MΩ MIN, MEASURED BY 500V DC
2. LIFE TEST:MECHANICAL LIFE TEST 10,000 CYCLES MIN
3. TEMPERATURE RISE : 30°C MAX



规格型号	DIM A	DIM B	DIM C
BC3P30H80	8.0±0.15	5.9±0.3	6.9±0.3
BC3P30H90	9.0±0.15	6.9±0.3	7.9±0.3
BC3P30H100	10.0±0.15	7.9±0.3	8.9±0.3

HAOFUELECTRIONCSTECHNOLOGYCO.,LTD

COPYRIGHT RESERVED,PLEASE DO NOT COPY.

PART NAME		CONNECTOR		DRAWING	Y,C,ZHANG	DWG.No.	SBICL
PART NO.		BC3P30XX		CHECK	G.C.Chen	REV.	A1
UNIT : mm	TOLERANCE OTHERWISE	UP TO 5 ABOVE 5~30	±0.2 ±0.3	APPROVAL	SCALE	DATE	10-10-2011
		ABOVE 30 ANGLE	±0.5 ±3°			PAGE	1 OF 1