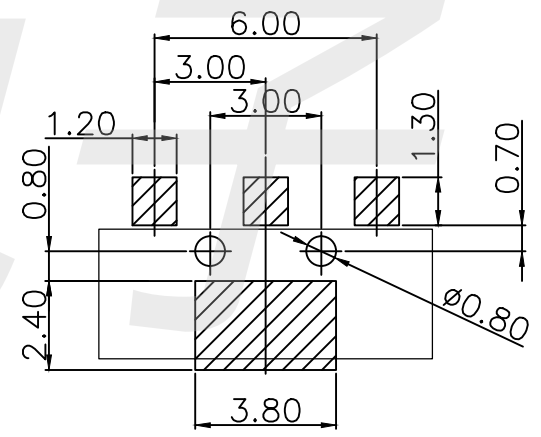
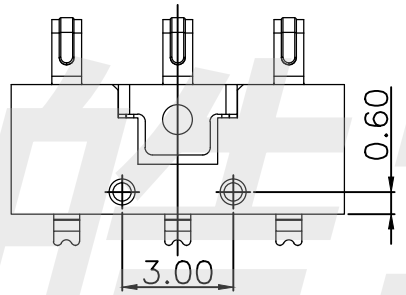
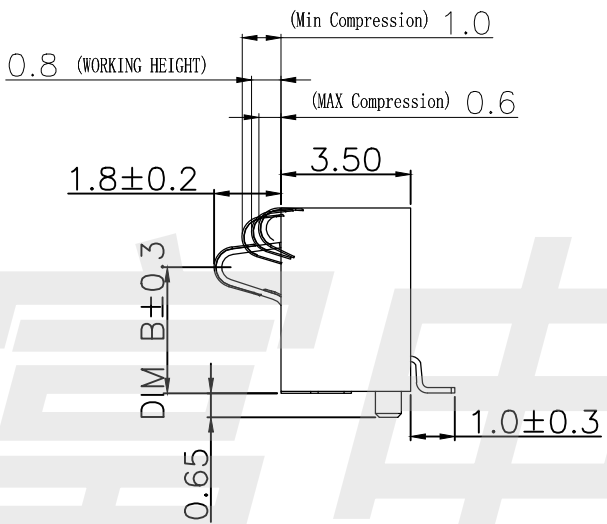
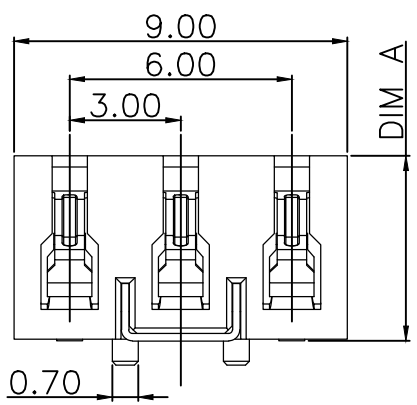
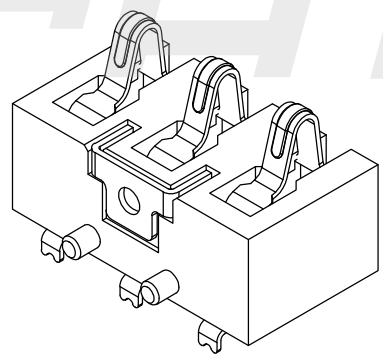


性能:

- 额定电流: 2.0A
- 额定电压: 12V
- 耐电压: 500V
- 接触电阻: 30mΩ
- 绝缘电阻: 500MΩ
- 工作温度: -40℃~+85℃
- 塑件(材质): LCP
- 接触点(材质): 磷铜, 镀金



RECOMMENDED PCB LAYOUT  
TOL:(±0.05)



规格	DIM A	DIM B
BC3P30H720D	7.2	5.7
BC3P30H680D	6.8	5.3
BC3P30H600D	6.0	4.5
BC3P30H540D	5.4	3.9
BC3P30H500D	5.0	3.5
BC3P30H460D	4.6	3.1

HADFU ELECTRONICS TECHNOLOGY CO.,LTD

COPYRIGHT RESERVED PLEASE DO NOT COPY.

PART NAME		CONNECTOR		DRAWING	Y,C,ZHANG	DWG.No.	SBICL
PART NO.		BC3P30HXXXD		CHECK	G.C.Chen	REV.	A1
UNIT : mm	TOLERANCE OTHERWISE	UP TO 5	±0.2	ANGLE	APPROVAL	DATE	10-06-2012
		ABOVE 5~30	±0.3				
		ABOVE 30	±0.5	0°±3'	SCALE	PAGE	1 OF 1
		ANGLE	±3'				