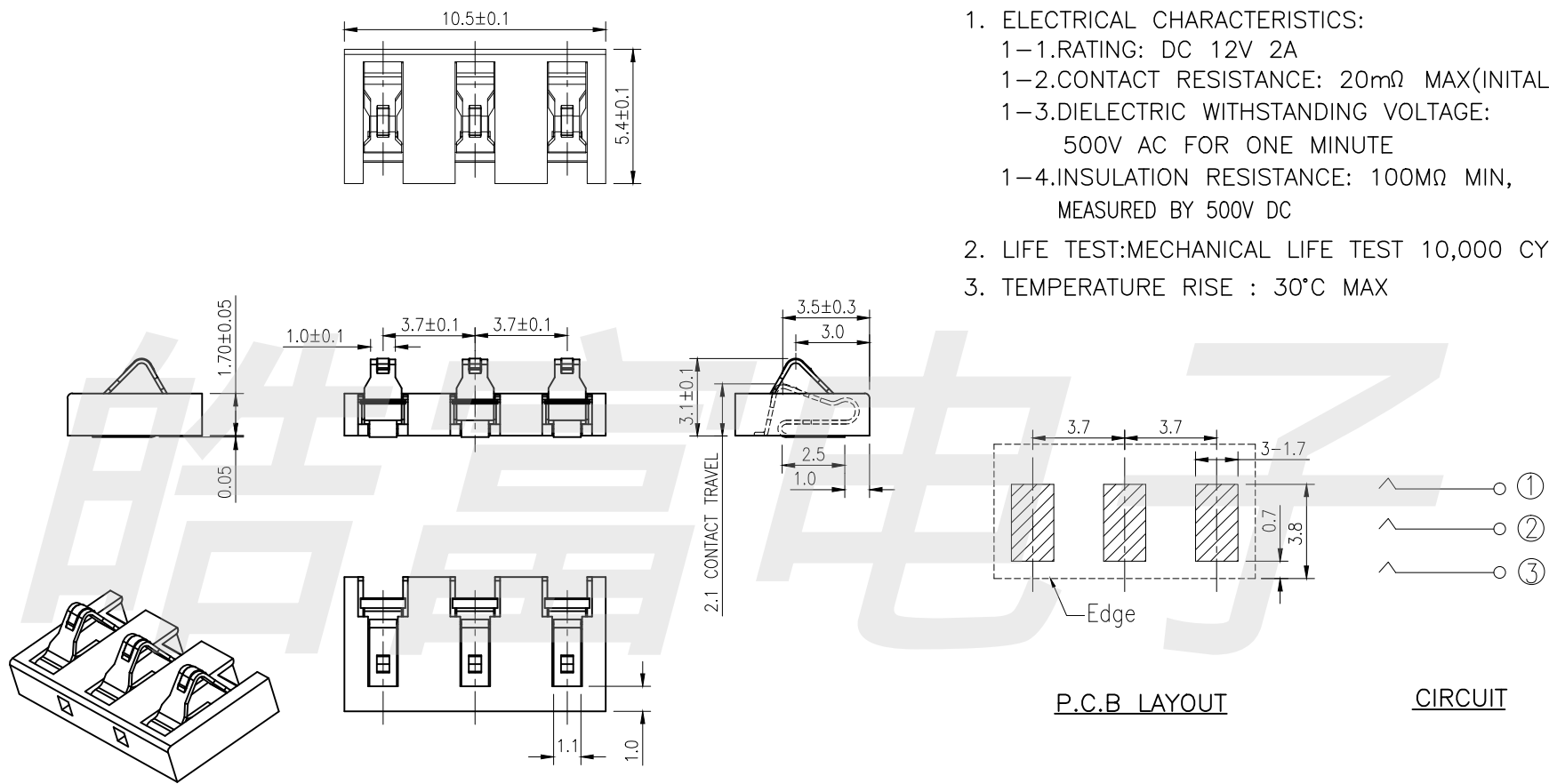


SPECIFICATIONS

1. ELECTRICAL CHARACTERISTICS:
 - 1-1.RATING: DC 12V 2A
 - 1-2.CONTACT RESISTANCE: 20mΩ MAX(INITAL)
 - 1-3.DIELECTRIC WITHSTANDING VOLTAGE: 500V AC FOR ONE MINUTE
 - 1-4.INSULATION RESISTANCE: 100MΩ MIN, MEASURED BY 500V DC
2. LIFE TEST:MECHANICAL LIFE TEST 10,000 CYCLES.
3. TEMPERATURE RISE : 30°C MAX



2	HOUSING	PPA	1	BLACK
1	CONTACT TERMINAL	BeCu	3	Au PLATED
NO.	PARTS	MATERIAL	QTY.	FINISHING

HADFU ELECTRONICS TECHNOLOGY CO.,LTD		PART NAME		CONNECTOR		DRAWING	Y,C,ZHANG	DWG.No.	SBICL
		PART NO.		BC3P37H31		CHECK	G.C.Chen	REV.	A1
COPYRIGHT RESERVED PLEASE DO NOT COPY.	UNIT : mm	TOLERANCE OTHERWISE	UP TO 5	±0.2	ANGLE	APPROVAL	DATE	22-06-2016	PAGE
			ABOVE 5~30	±0.3					
			ABOVE 30	±0.5					
			ANGLE	±3'					