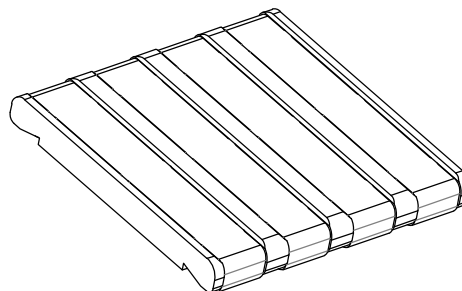
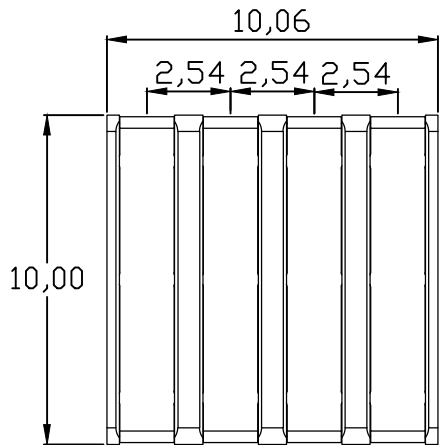
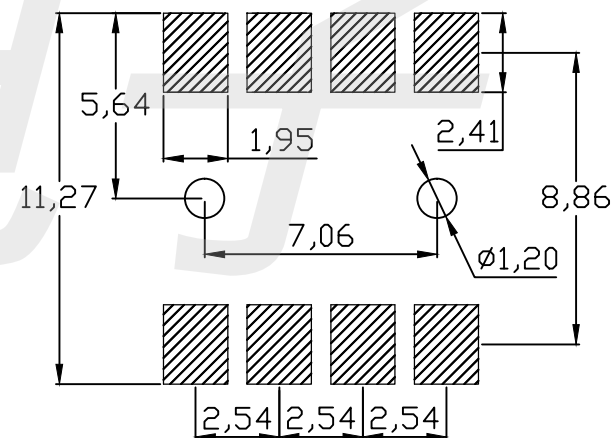
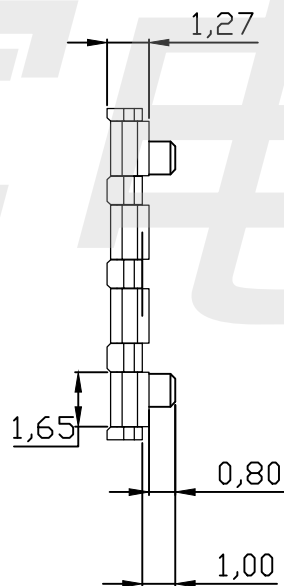
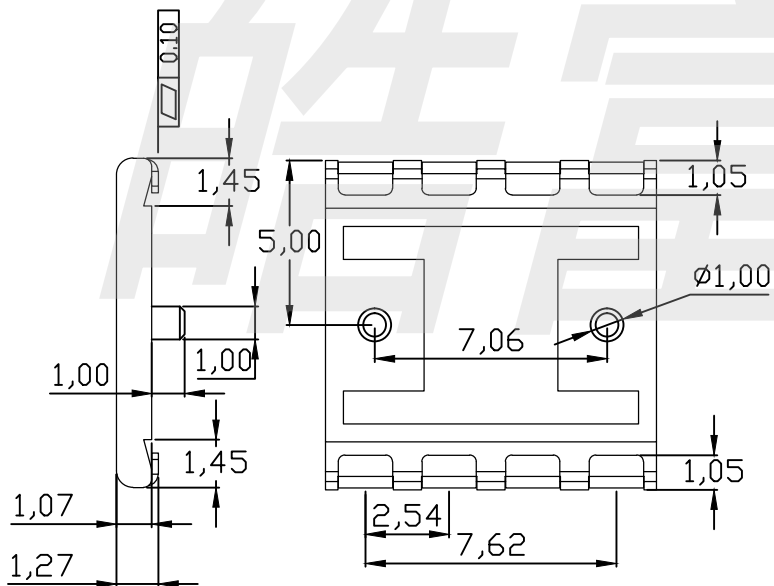


RoHS
Compliant



性能:

- 额定电流: 3.0A
- 额定电压: 60V
- 耐电压: 500V
- 接触电阻: 30mΩ
- 绝缘电阻: 500MΩ
- 工作温度: -55℃~+125℃
- 使用寿命: 10000次以上
- 塑件(材质): PA9T
- 接触点(材质): 黄铜C2680, 镀金



RECOMMENDED PCB LAYOUT
TOP VIEW (. XX ± 0.05)

CONNECTOR

HAOFU ELECTRONICS TECHNOLOGY CO.,LTD

COPYRIGHT RESERVED, PLEASE DO NOT COPY.

PART NAME		CONNECTOR		DRAWING	Y,C,ZHANG	DWG.No.	SBICL
PART NO.		BC4P2.54H127		CHECK	G.C.Chen	REV.	A1
UNIT :	TOLERANCE OTHERWISE	UP TO 5	±0.2	ANGLE	APPROVAL	DATE	13-09-2016
		ABOVE 5~30	±0.3			PAGE	1 OF 1
mm		ABOVE 30	±0.5	0°±3'	SCALE	2:1	
		ANGLE	±3'				