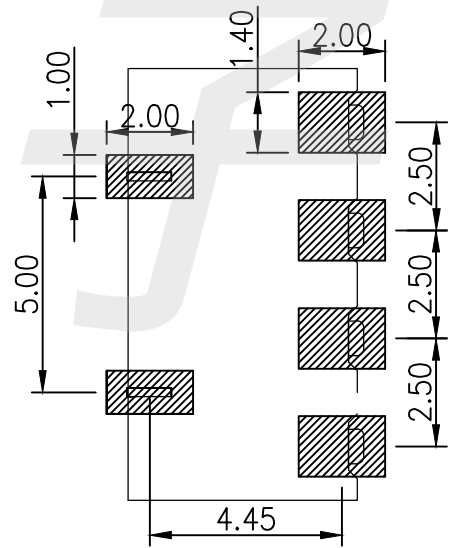
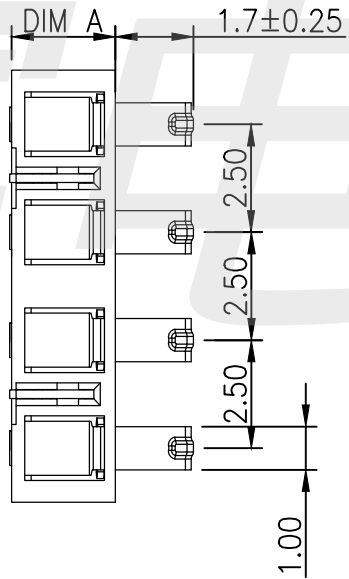
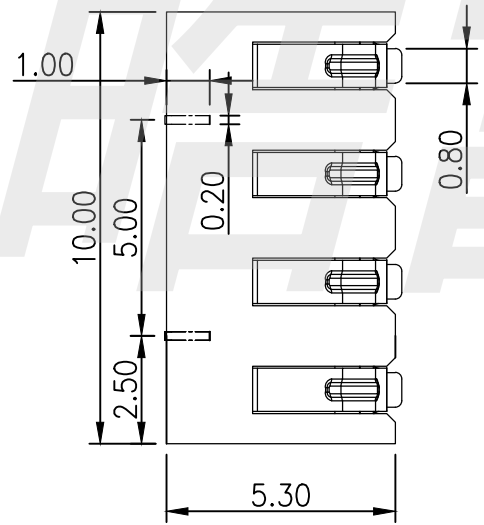
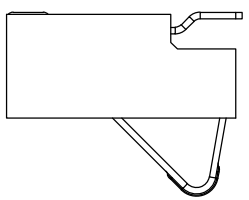
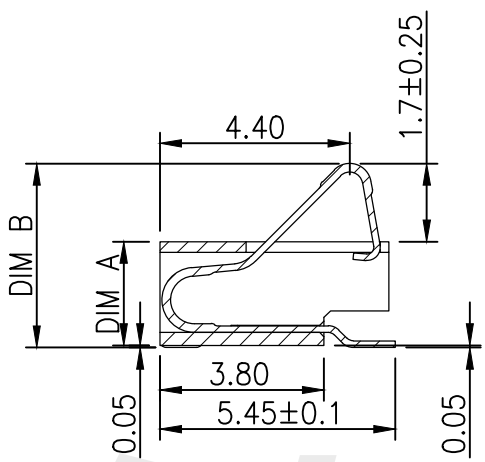


RoHS

PART NO.	DIM A	DIM B
BC4P25H42	2.4	4.2±0.25
BC4P25H48	3.0	4.8±0.25
BC4P25H52	3.5	5.2±0.25

性能:
 额定电流: 2.0A
 额定电压: 12V
 耐电压: 500V
 接触电阻: 30mΩ
 绝缘电阻: 500MΩ
 工作温度: -40℃~+85℃
 塑件(材质): LCP
 接触点(材质): 磷铜, 镀金



RECOMMENDED PCB LAYOUT
 TOP VIEW (.XX±0.05)

HAOFU ELECTRONICS TECHNOLOGY CO.,LTD

COPYRIGHT RESERVED,PLEASE DO NOT COPY.

PART NAME		CONNECTOR		DRAWING	Y,C,ZHANG	DWG.No.	SBICL
PART NO.		BC4P25HXX		CHECK	G.C.Chen	REV.	A1
UNIT : mm	TOLERANCE OTHERWISE	UP TO 5	±0.2	ANGLE	APPROVAL	DATE	14-03-2013
		ABOVE 5~30	±0.3			SCALE	PAGE
		ABOVE 30	±0.5	0°±3'			
			±3'				