

NOTES:

1.Material:

Housing: LCP UL 94V-0, Black

Terminal: Copper Alloy

2.Finish: Plating Gold

3.Specification

Rated Voltage(Max.): 30V AC/DC

Dielectric Strength: 1KV AC For 1 Minute

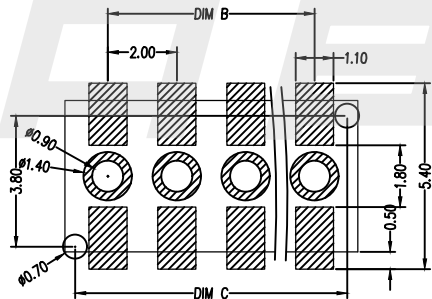
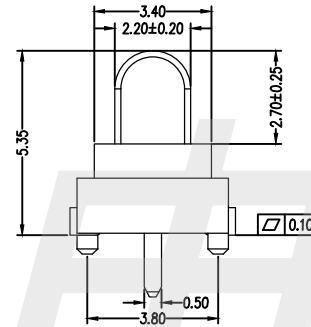
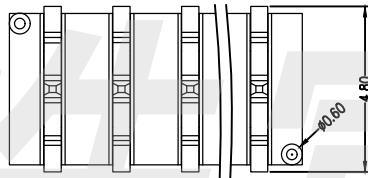
Between Adjacent Terminal, No Breakdown

Insulation Resistance: 1000 Megohms Min. 500V

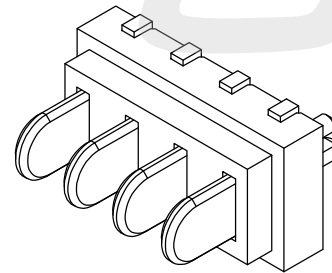
DC For 1 Minute Between Adjacent Terminal

Operating Temperature: -20°C-80°C

4.Order information:



RECOMMENDED PCB LAYOUT
TOL: (± 0.05)



BC10P20H05T	20.50	18.00	19.90
BC9P20H05T	18.50	16.00	17.90
BC8P20H05T	16.50	14.00	15.90
BC7P20H05T	14.50	12.00	13.90
BC6P20H05T	12.50	10.00	11.90
BC5P20H05T	10.50	8.00	9.90
BC4P20H05T	8.50	6.00	7.90
BC3P20H05T	6.50	4.00	5.90
BC2P20H05T	4.50	2.00	3.90
Be filled	DIMA	DIMB	DIMC

HAOFU ELECTRONCS TECHNOLOGY CO.,LTD

PART NAME		CONNECTOR		DRAWING		Y,C,ZHANG		DWG.No.		SBICL	
PART NO.		BCNP20H05T		CHECK		G.C.Chen		REV.		A1	
UNIT :		TOLERANCE		ANGLE		APPROVAL		DATE			
mm		OTHERWISE		$\sigma \pm 3'$		SCALE		PAGE		1 OF 1	
		UP TO 5 ABOVE 5 ~ 30 ABOVE 30 ANGLE		± 0.2 ± 0.3 ± 0.5 $\pm 3'$		2:1					

COPYRIGHT RESERVED, PLEASE DO NOT COPY.