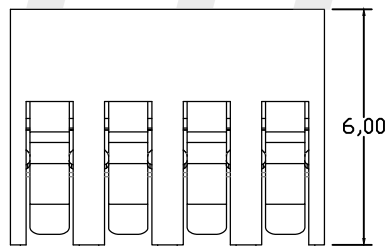
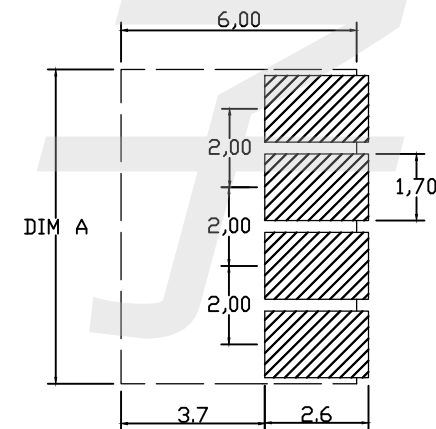
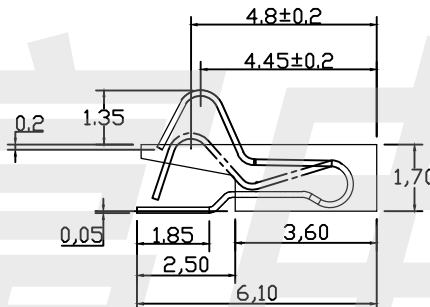
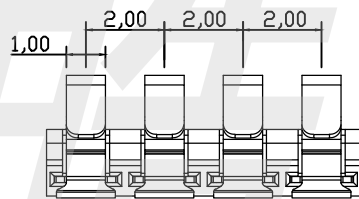


性能:

- 额定电流: 2.0A
- 额定电压: 12V
- 耐电压: 500V
- 接触电阻: 30mΩ
- 绝缘电阻: 500MΩ
- 工作温度: -40℃~+85℃
- 塑件(材质): LCP
- 接触点(材质): 磷铜, 触点镀金3U",
- 使用寿命: 5000次以上



Pin数	PART NO.	DIM A
2Pin	BC2P20H31	4.0
3Pin	BC3P20H31	6.0
4Pin	BC4P20H31	8.0
5Pin	BC5P20H31	10.0
6Pin	BC6P20H31	12.0
7Pin	BC7P20H31	14.0
8Pin	BC8P20H31	16.0

RECOMMENDED PCB LAYOUT

TOP VIEW(. XX±0.05)

HADFU ELECTRONICS TECHNOLOGY CO.,LTD

COPYRIGHT RESERVED,PLEASE DO NOT COPY.

PART NAME		CONNECTOR		DRAWING	Y,C,ZHANG	DWG.No.	SBICL
PART NO.		BCNP20H31		CHECK	G.C.Chen	REV.	A1
UNIT : mm	TOLERANCE OTHERWISE	UP TO 5	±0.2	ANGLE	APPROVAL	DATE	12-01-2014
		ABOVE 5~30	±0.3				
		ABOVE 30	±0.5	0°±3'	SCALE	PAGE	1 OF 1
		ANGLE	±3'		2:1		