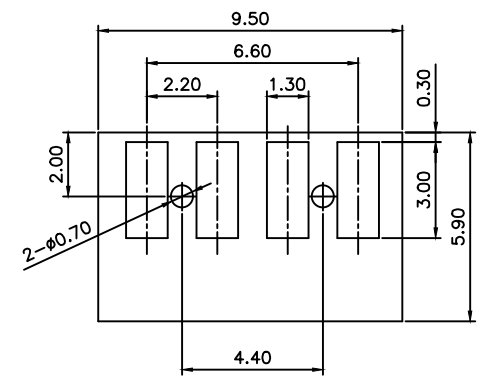
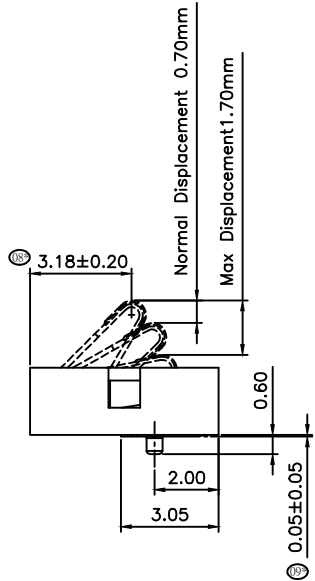
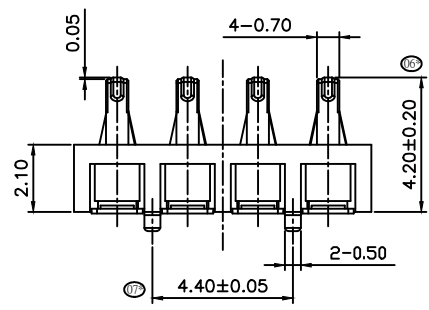
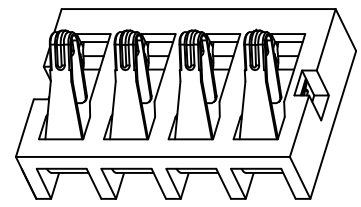
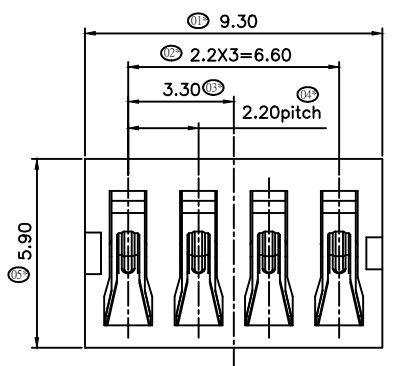
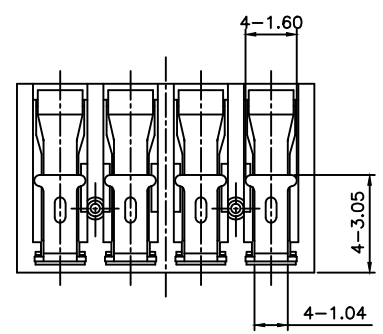


NOTES

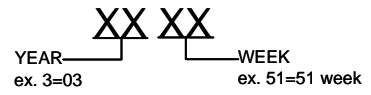
1. MATERIAL & FLASH/PLATED
  - 1.1 HOUSING: HIGH TEMP. THERMOPLASTIC+GLASS FIBRE  
.[UL 94V-0]; COLOR: BLACK
  - 1.2 TERMINAL: COPPER ALLOY  
.PLATED: GOLD PLATED  
BASE NICKEL: 50u"MIN
  - 1.3 COVER: HIGH TEMP. THERMOPLASTIC+GLASS FIBRE  
.[UL 94V-0]; COLOR: BLACK
- 2.PACKAGE: TAPE/REEL



RECOMMENDED PC BOARD LAYOUT  
TOLERANCE: ±0.05[TOP VIEW]



DATA CODE NO. ex. 0351



PRAT NO:KS00540X3  
1

- 1.Plating
  - 0=3u"gold on contact area/  
1.5u" gold on solder area.
  - 3=15u"gold on contact area/  
1.5u" gold on solder area.

HAOFU ELECTRONCS TECHNOLOGY CO.,LTD

COPYRIGHT RESERVED,PLEASE DO NOT COPY.

PART NAME		CONNECTOR		DRAWING	Y.C.ZHANG	DWG.No.	SBICL
PART NO.		BC4P22H42		CHECK	G.C.Chen	REV.	A1
UNIT : mm	TOLERANCE	UP TO 5	±0.2	APPROVAL	SCALE	DATE	22-09-2015
	OTHERWISE	ABOVE 5-30	±0.3			PAGE	1 OF 1
		ABOVE 30	±0.5				
		ANGLE	±3°				