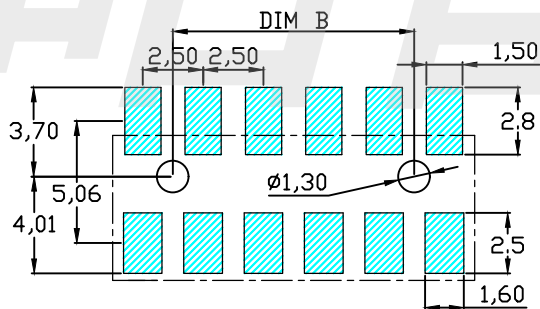
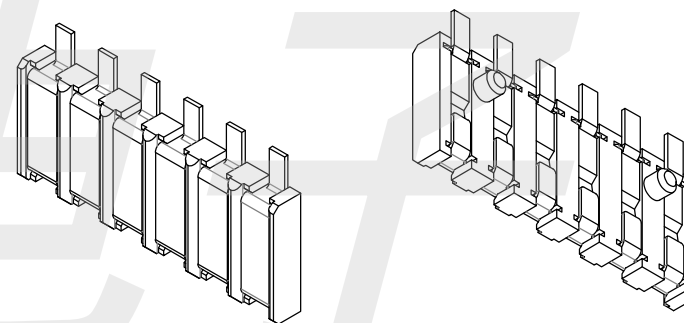
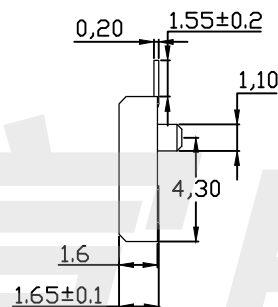
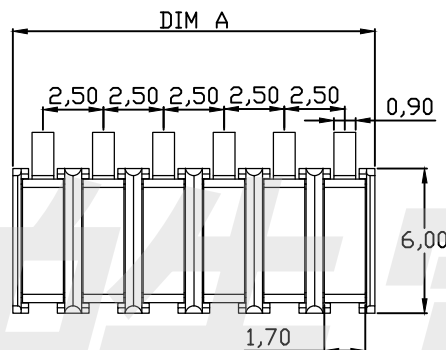
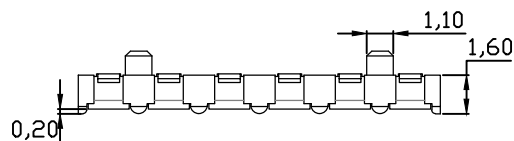


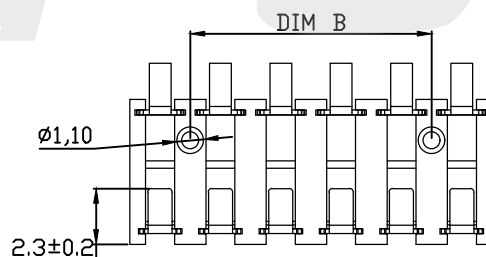
RoHS
Compliant

性能:

- 额定电流: 3.0A
- 额定电压: 60V
- 耐电压: 500V
- 接触电阻: 30mΩ
- 绝缘电阻: 500MΩ
- 工作温度: -55℃~+125℃
- 使用寿命: 10000次以上
- 塑件(材质): PA9T
- 接触点(材质): 黄铜C2680, 镀金



RECOMMENDED PCB LAYOUT
TOP VIEW(. XX±0.05)



规格	DIM A	DIM B
BC2P25H16	5.0	
BC3P25H16	7.5	2.5
BC4P25H16	10.0	5.0
BC5P25H16	12.5	7.5
BC6P25H16	15	10.0

HAOFU ELECTRONICS TECHNOLOGY CO.,LTD

COPYRIGHT RESERVED,PLEASE DO NOT COPY.

PART NAME		CONNECTOR		DRAWING	Y,C,ZHANG	DWG.No.	SBICL
PART NO.		BCNP25H16		CHECK	G.C.Chen	REV.	A1
UNIT : mm	TOLERANCE OTHERWISE	UP TO 5	±0.2	ANGLE	APPROVAL	DATE	19-06-2013
		ABOVE 5~30	±0.3			SCALE	PAGE
		ABOVE 30	±0.5	0°±3'	2:1		
		ANGLE	±3'				