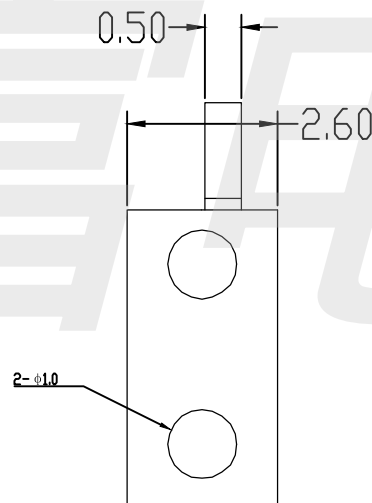
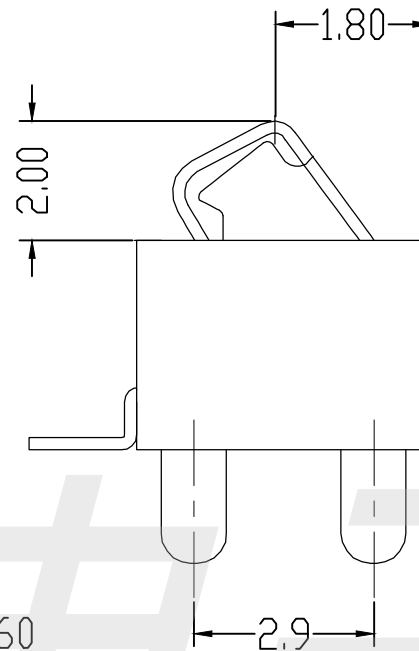
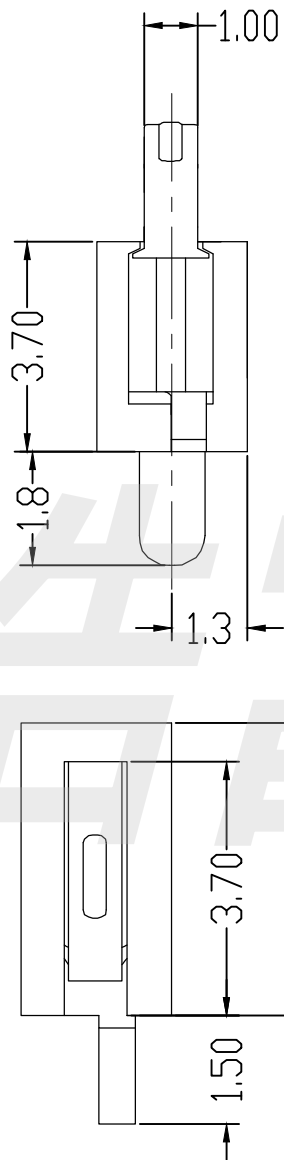


RoHS  
Compliant



性能:

额定电流: 2.0A

额定电压: 12V

耐电压: 500V

接触电阻: 30mΩ

绝缘电阻: 500MΩ

工作温度: -40℃~+85℃

塑件(材质): LCP 黑色

接触点(材质): 铜合金, 触点镀金3U"

HADFU ELECTRONCS TECHNOLOGY CO.,LTD

COPYRIGHT RESERVED,PLEASE DO NOT COPY.

PART NAME

CONNECTOR

DRAWING

Y,C,ZHANG

DWG.No.

SBICL

PART NO.

BC1P55

CHECK

G.C.Chen

REV.

A1

UNIT :

mm

TOLERANCE

OTHERWISE

UP TO 5  
ABOVE 5~30  
ABOVE 30  
ANGLE

±0.2  
±0.3  
±0.5  
±3°

ANGLE

APPROVAL

SCALE

2:1

DATE

16-10-2019

SCALE

2:1

PAGE

1 OF 1