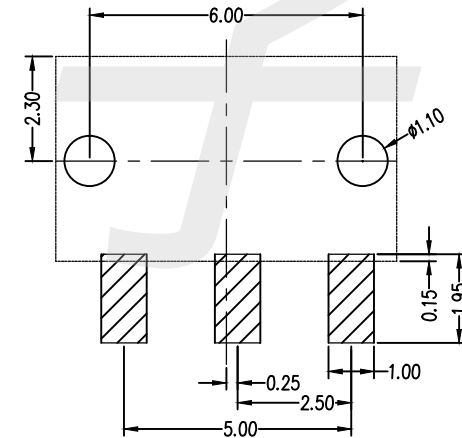
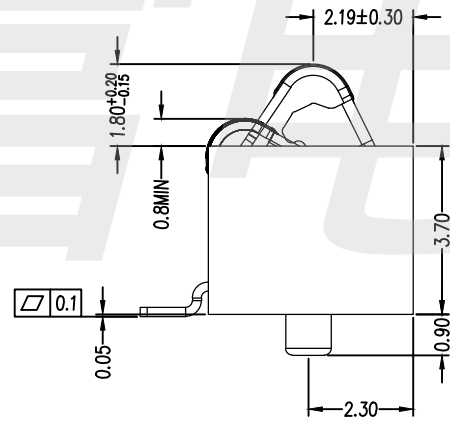
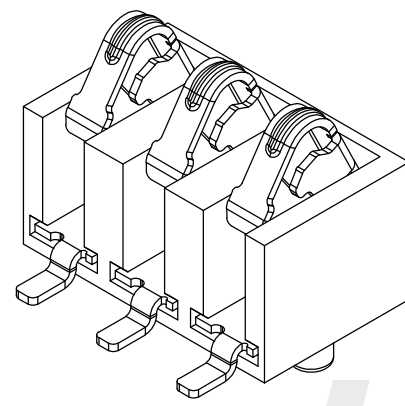
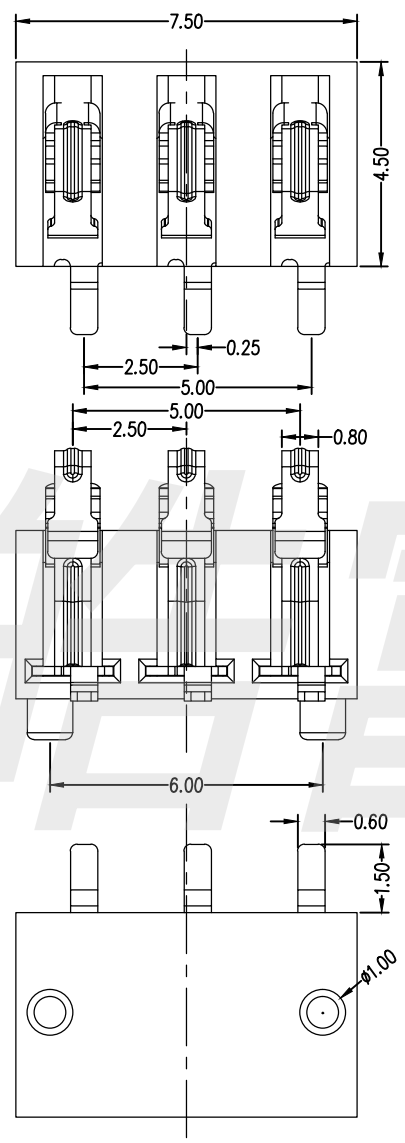


RoHS  
Compliant

性能:

- 额定电流: 2.0A
- 额定电压: 12V
- 耐电压: 500V
- 接触电阻: 30mΩ
- 绝缘电阻: 500MΩ
- 工作温度: -40℃~+85℃
- 塑件(材质): LCP 黑色
- 接触点(材质): 铜合金, 触点镀金3U"



RECOMMENDED PCB LAYOUT  
TOL:(±0.05)

HAOFU ELECTRONICS TECHNOLOGY CO.,LTD

COPYRIGHT RESERVED,PLEASE DO NOT COPY.

PART NAME		CONNECTOR		DRAWING	Y,C,ZHANG	DWG.No.	SBICL
PART NO.		BC3P25H55		CHECK	G.C.Chen	REV.	A1
UNIT : mm	TOLERANCE	UP TO 5	±0.2	APPROVAL		DATE	16-10-2019
	OTHERWISE	ABOVE 5~30	±0.3			SCALE	2:1
		ANGLE	ABOVE 30				
			±0.5				
			±3°				