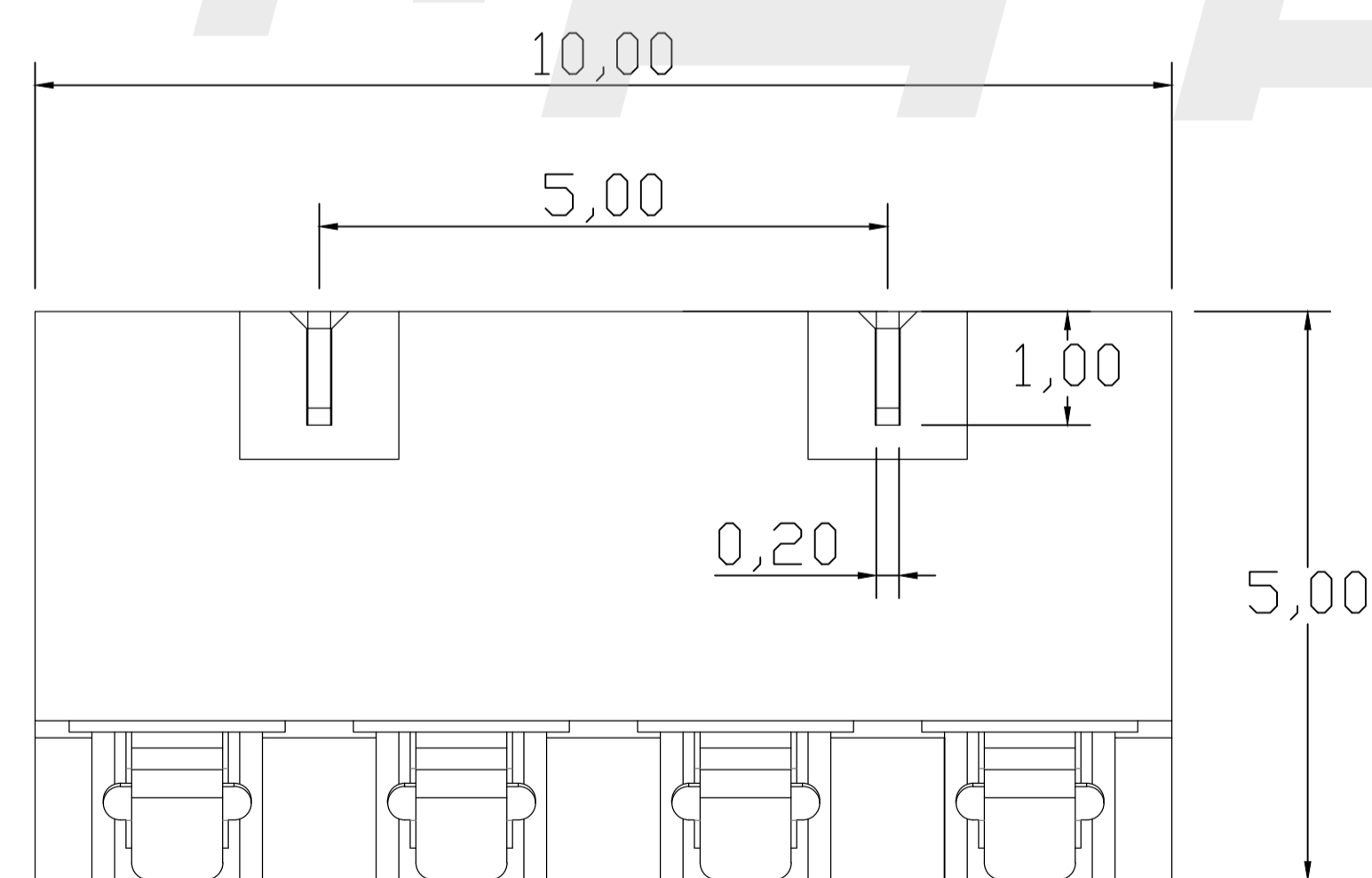
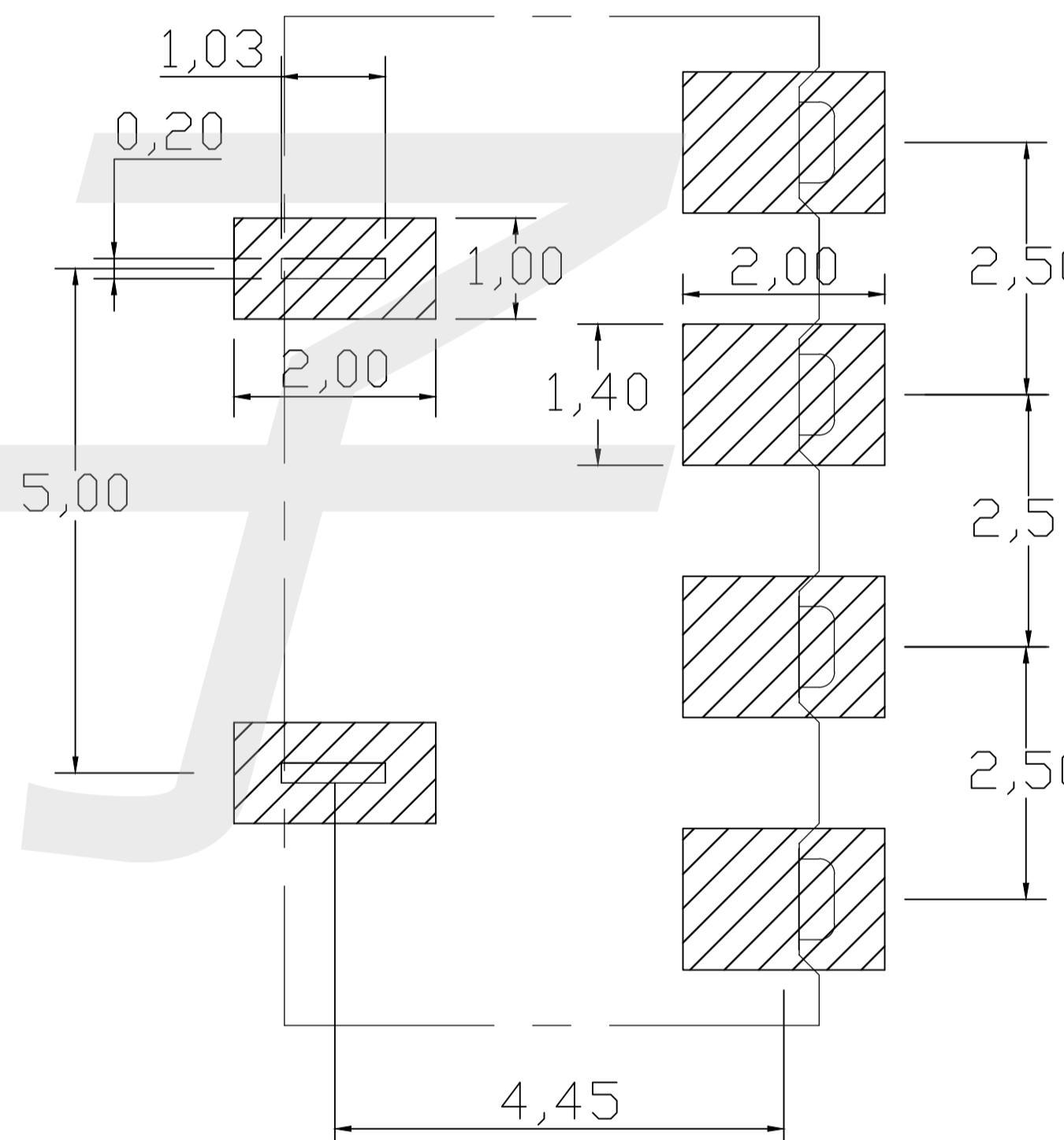
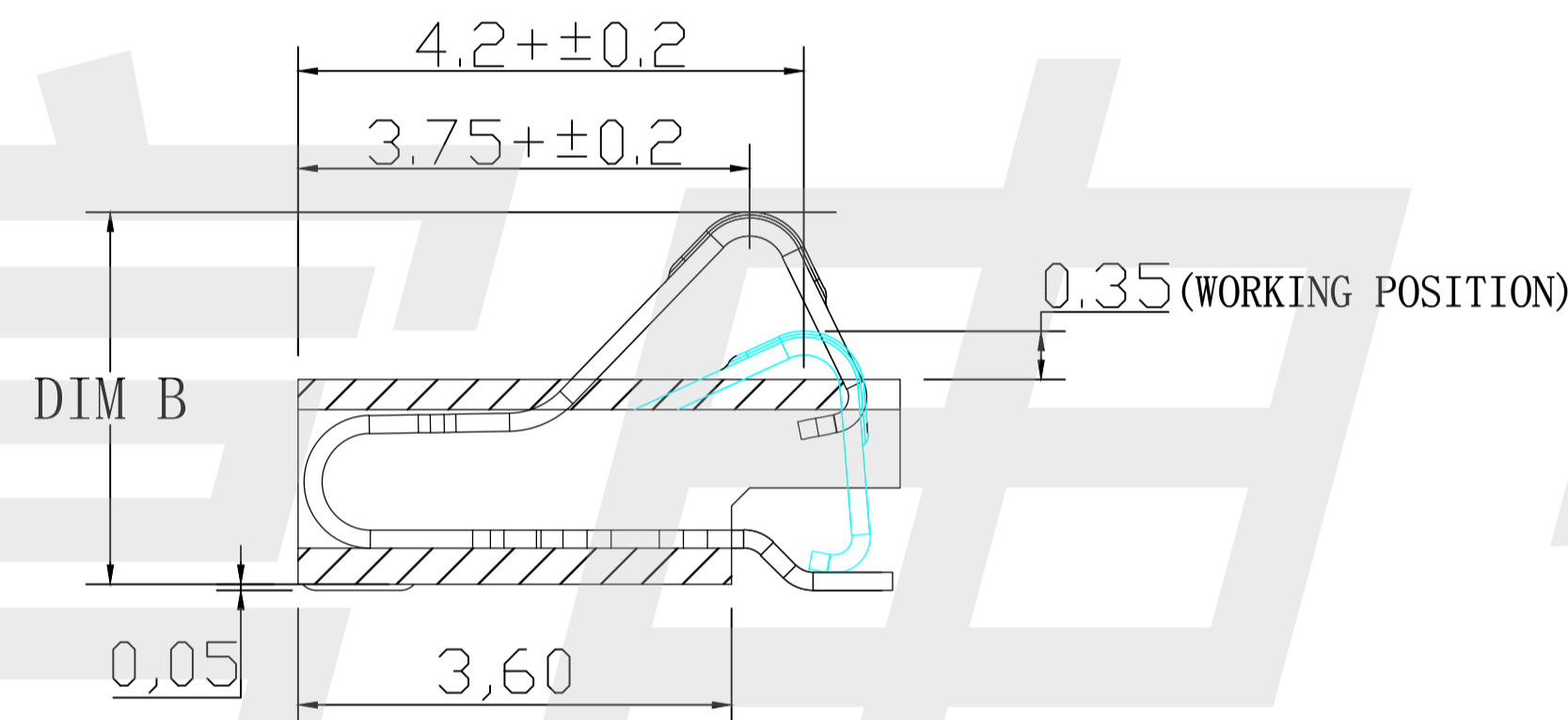
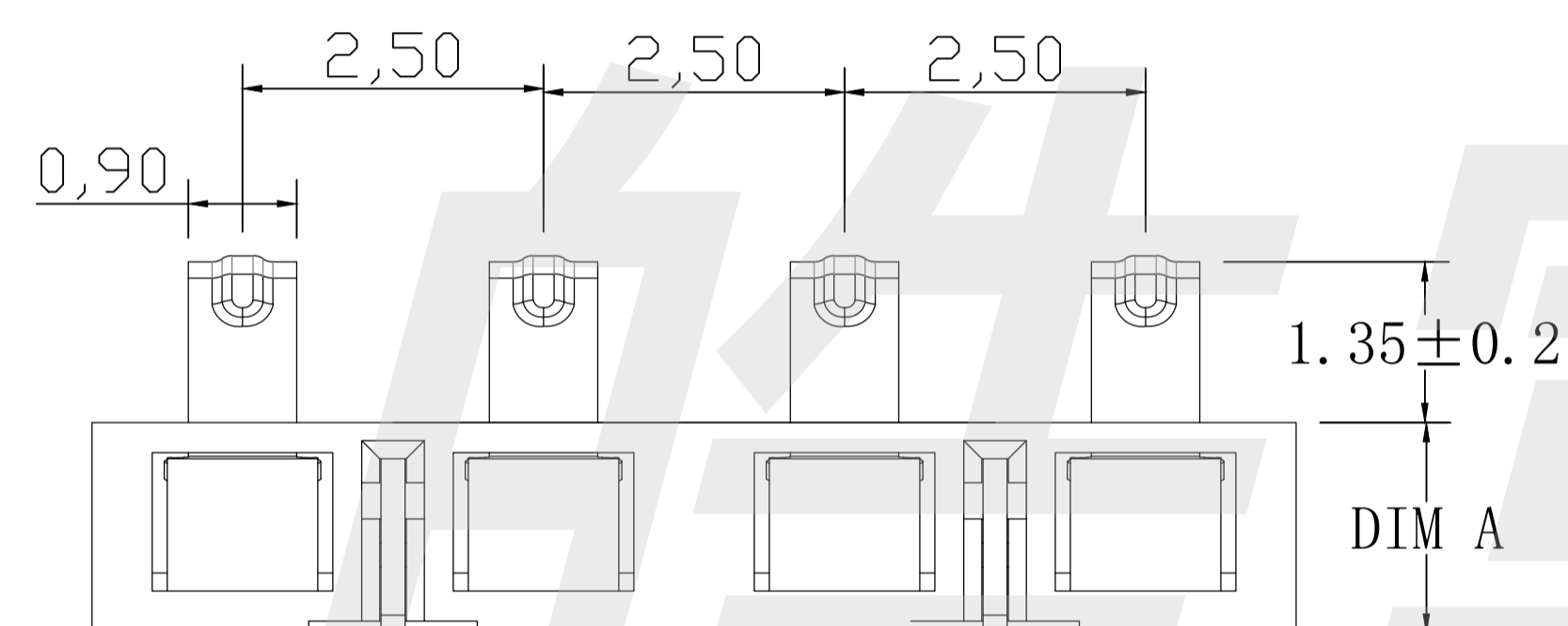
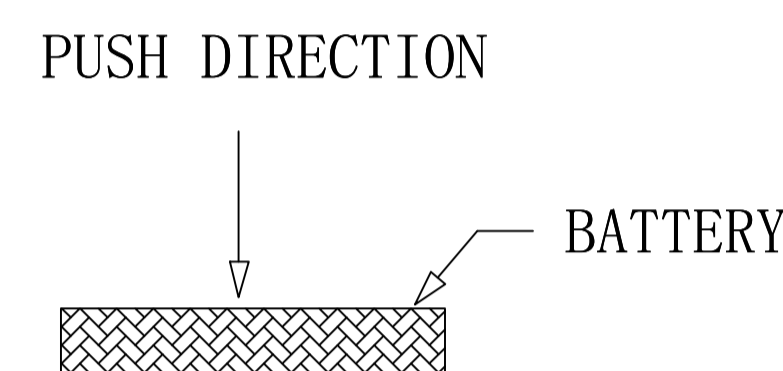
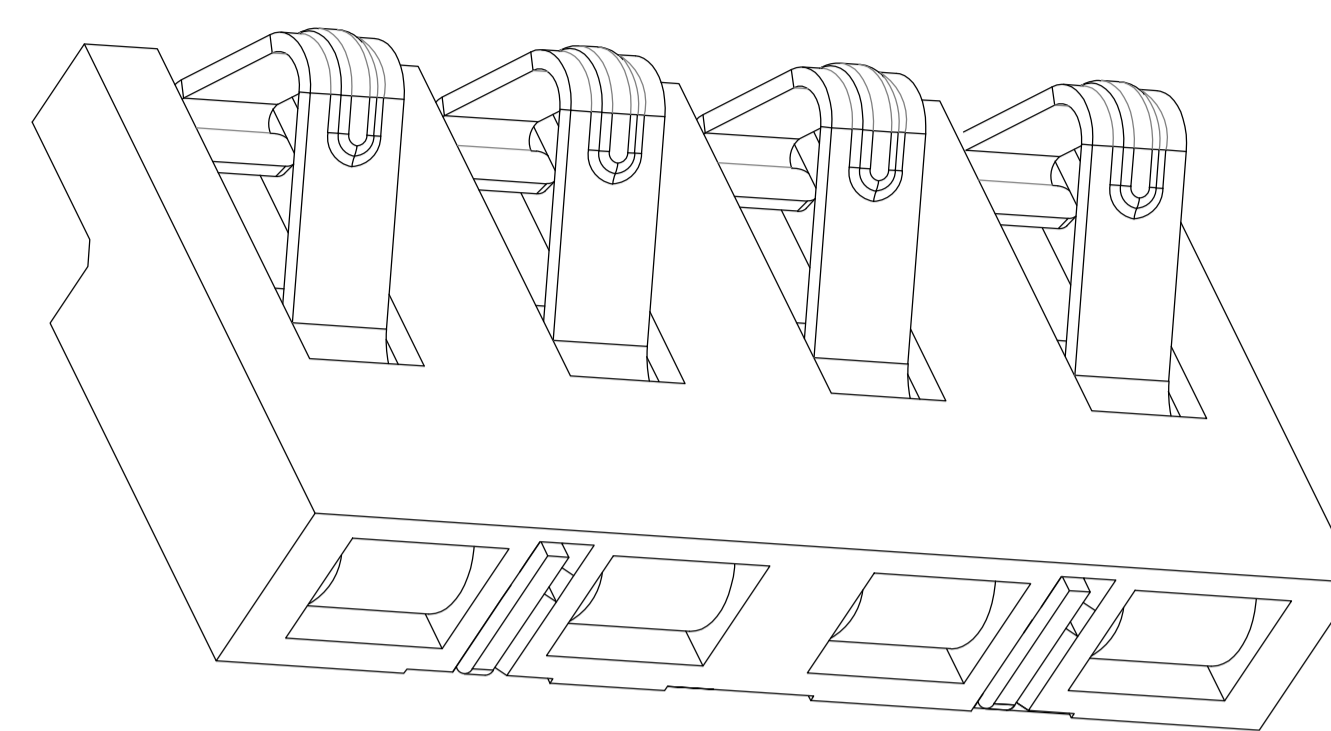
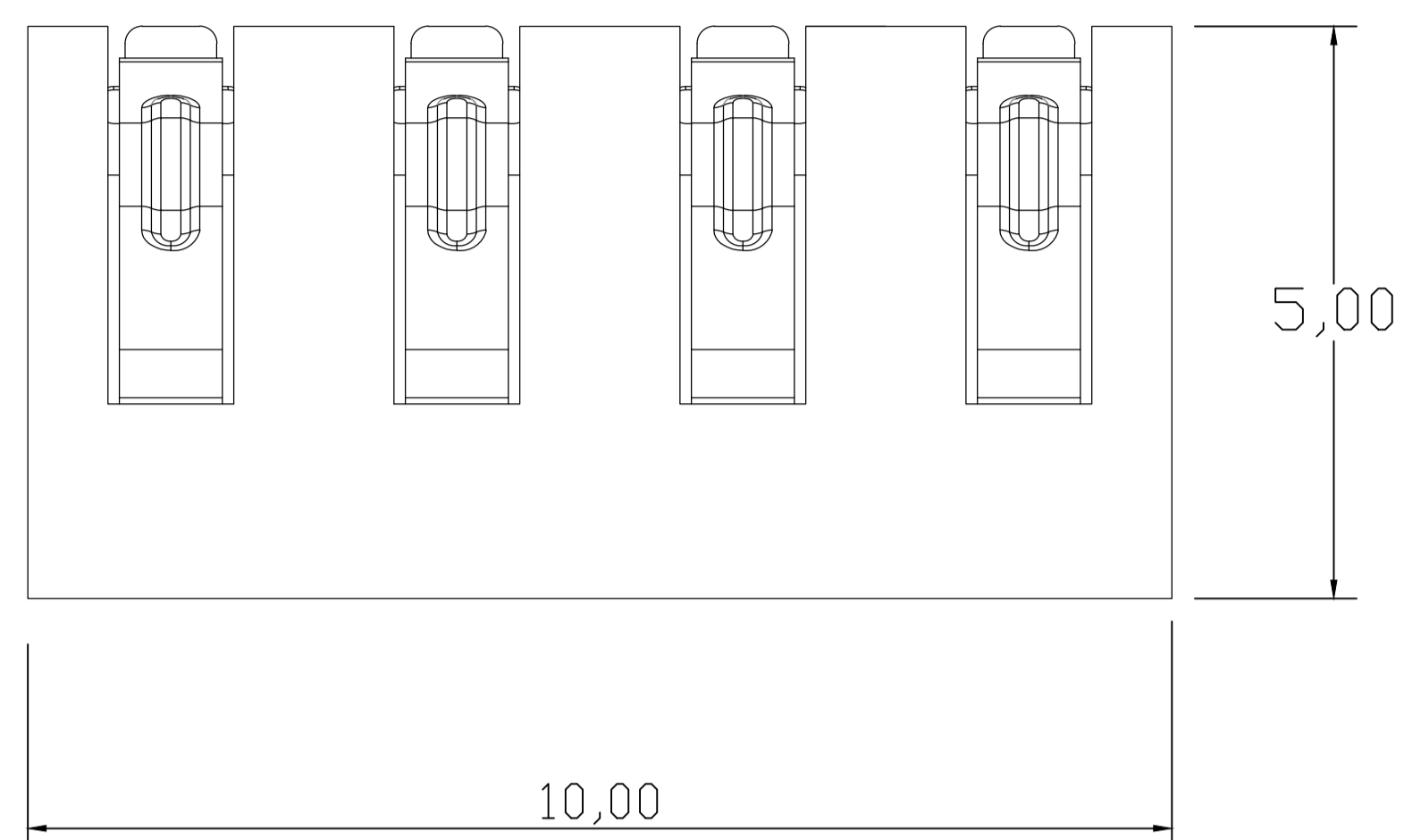


性能:

- 额定电流: 2.0A
- 额定电压: 12V
- 耐电压: 500V
- 接触电阻: 30mΩ
- 绝缘电阻: 500MΩ
- 工作温度: -40℃~+85℃
- 塑件(材质): LCP
- 接触点(材质): 磷铜, 镀金



PART NO.	DIM A	DIM B
BC4P25H305	1.70	3.05±0.2
BC4P25H335	2.0	3.35±0.2

RECOMMENDED PCB LAYOUT
TOP VIEW (. XX ± 0.05)

PART NAME		CONNECTOR		DRAWING	Y,C,ZHANG	DWG.No.	SBICL
PART NO.		BC4P25H305		CHECK	G.C.Chen	REV.	A1
	UNIT :	TOLERANCE	UP TO 5	ANGLE	APPROVAL	DATE	23-08-2019
	mm	OTHERWISE	ABOVE 5~30	0°±3°	SCALE	PAGE	1 OF 1