

性能:

额定电流: 2.0A

额定电压: 12V

耐电压: 500V

接触电阻: 30mΩ

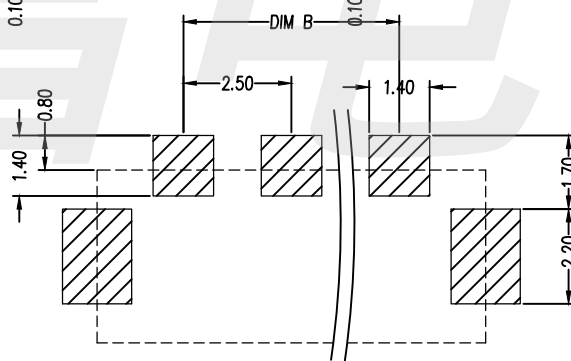
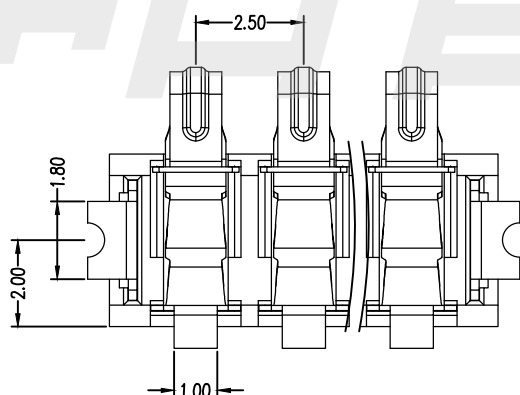
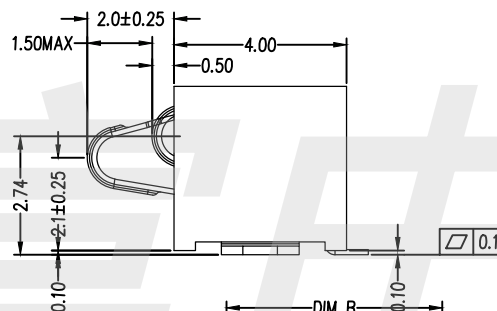
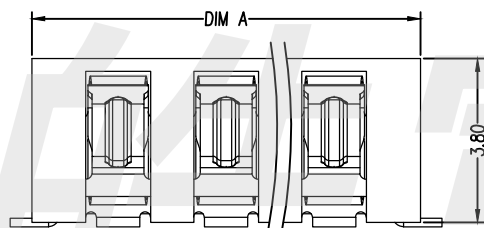
绝缘电阻: 500MΩ

工作温度: -40℃~+85℃

塑件(材质): LCP

接触点(材质): 铜合金, 触点镀金3U"

使用寿命: 3000次以上



RECOMMENDED PCB LAYOUT  
TOL:(±0.05)

PART NO.	DIM A	DIM B
BC2P25H380	6.5	5.0
BC3P25H380	9.0	7.5
BC4P25H380	11.5	10.0
BC5P25H380	14.0	12.5
BC6P25H380	16.5	15.0

HADFU ELECTRONICS TECHNOLOGY CO.,LTD

COPYRIGHT RESERVED,PLEASE DO NOT COPY.

PART NAME		CONNECTOR		DRAWING	Y,C,ZHANG	DWG.No.	SBICL
PART NO.		BCNP25H380		CHECK	G.C.Chen	REV.	A1
UNIT :	TOLERANCE OTHERWISE	UP TO 5	±0.2	APPROVAL	SCALE	DATE	09-11-2018
		ABOVE 5~30	±0.3			PAGE	1 OF 1
mm		ABOVE 30	±0.5				
		ANGLE	±3°				