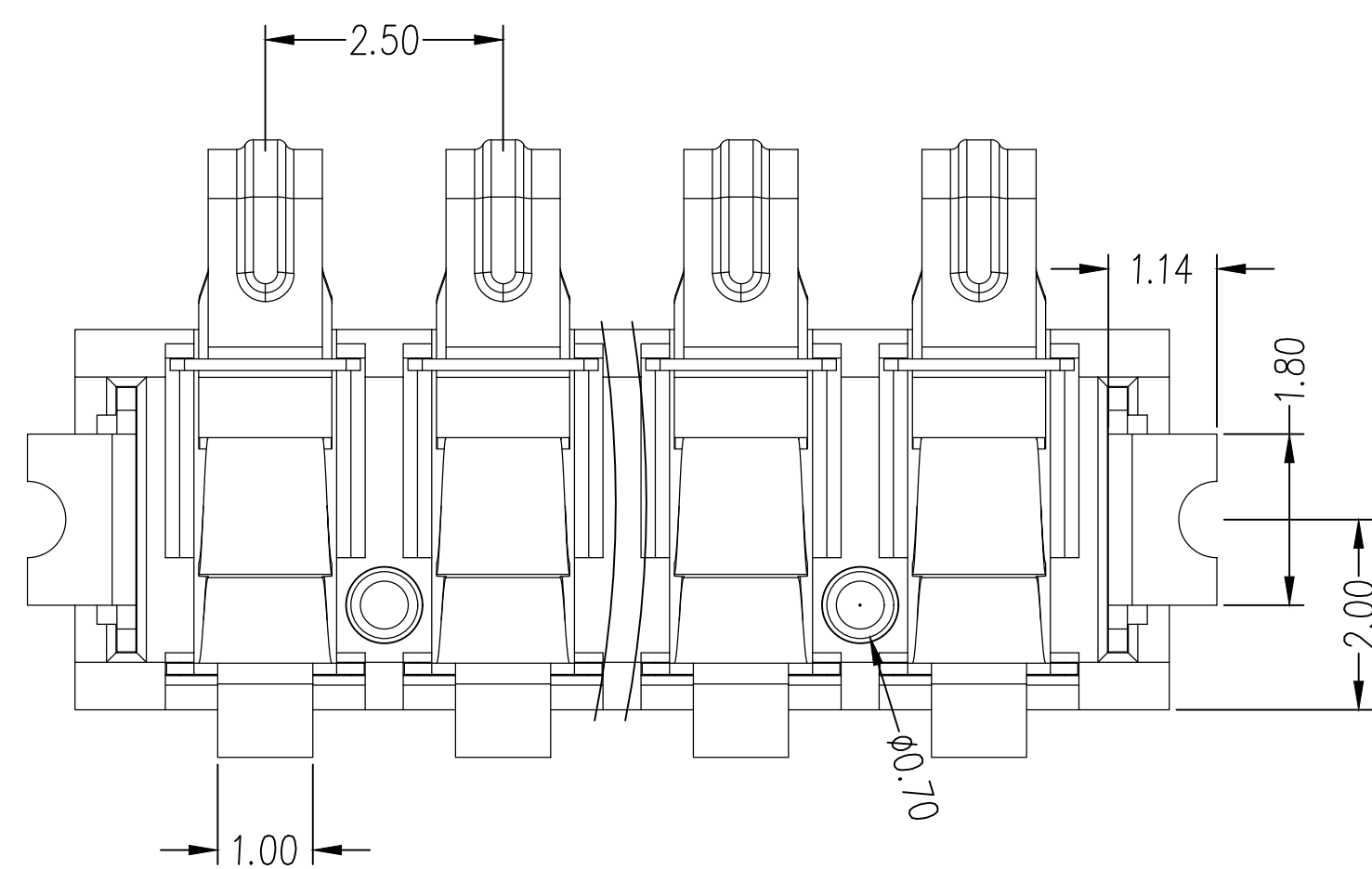
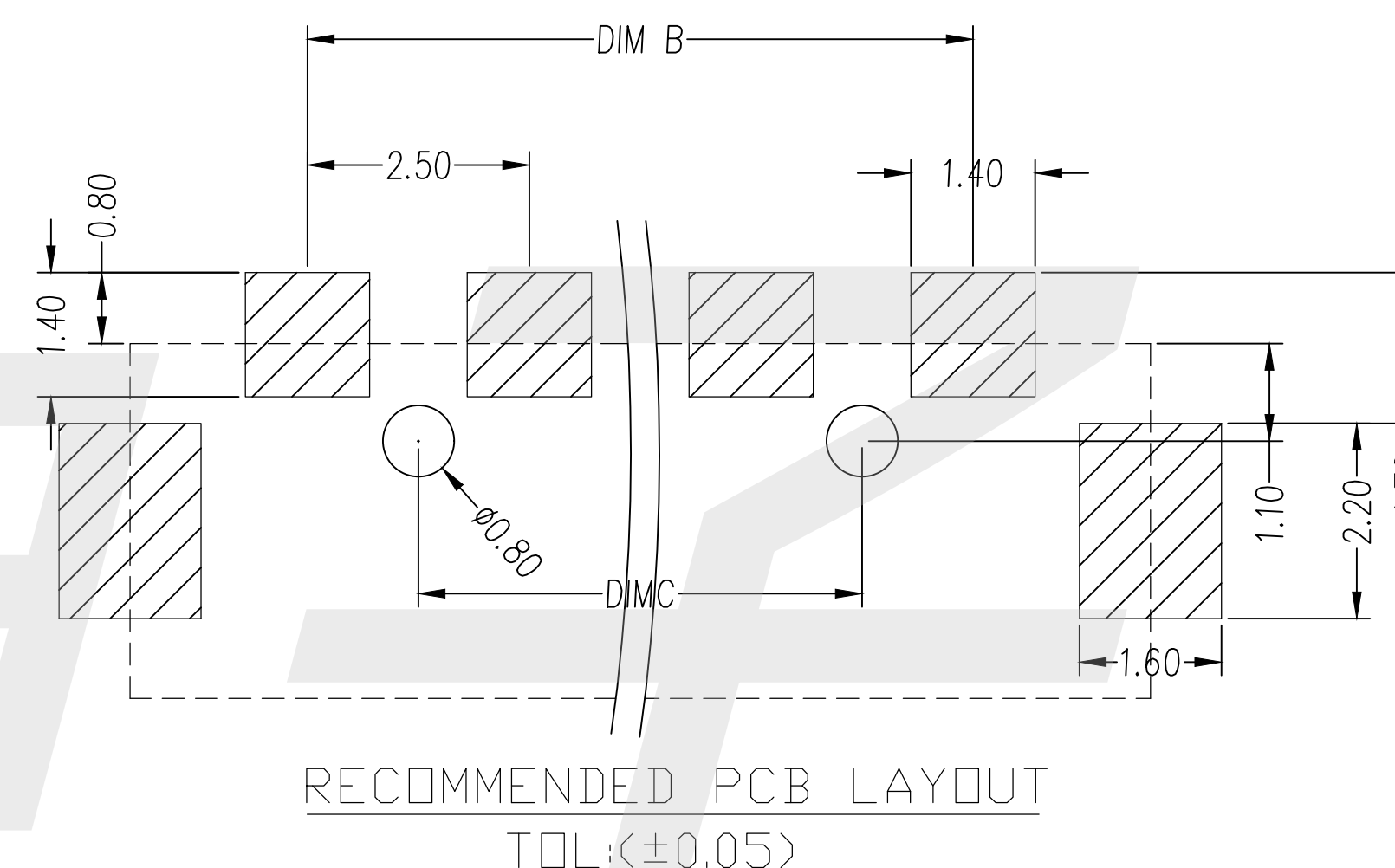
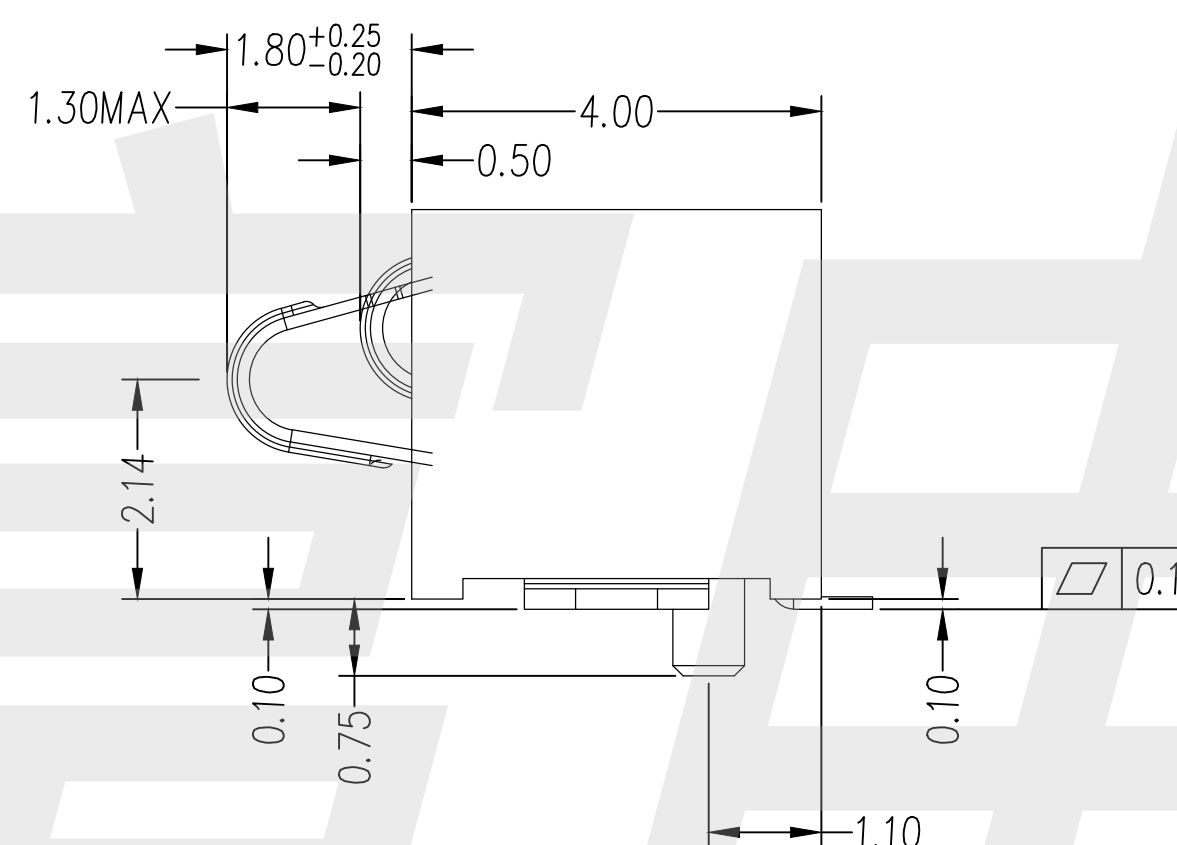
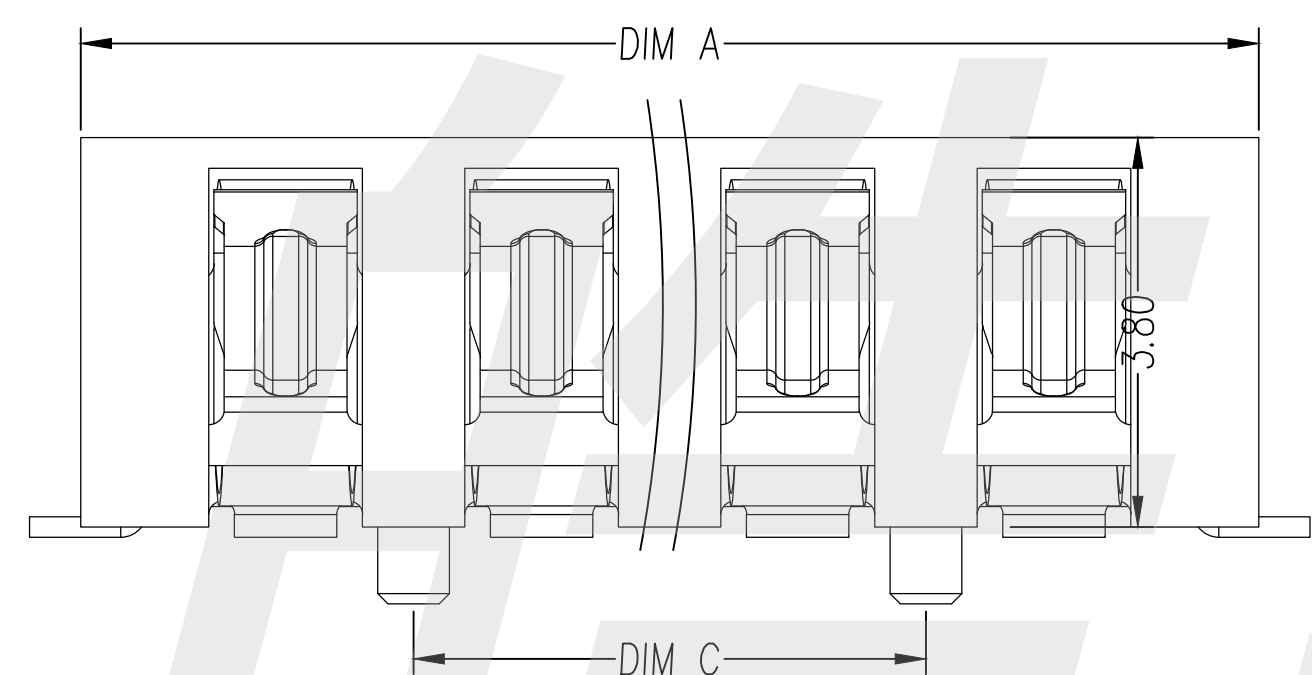
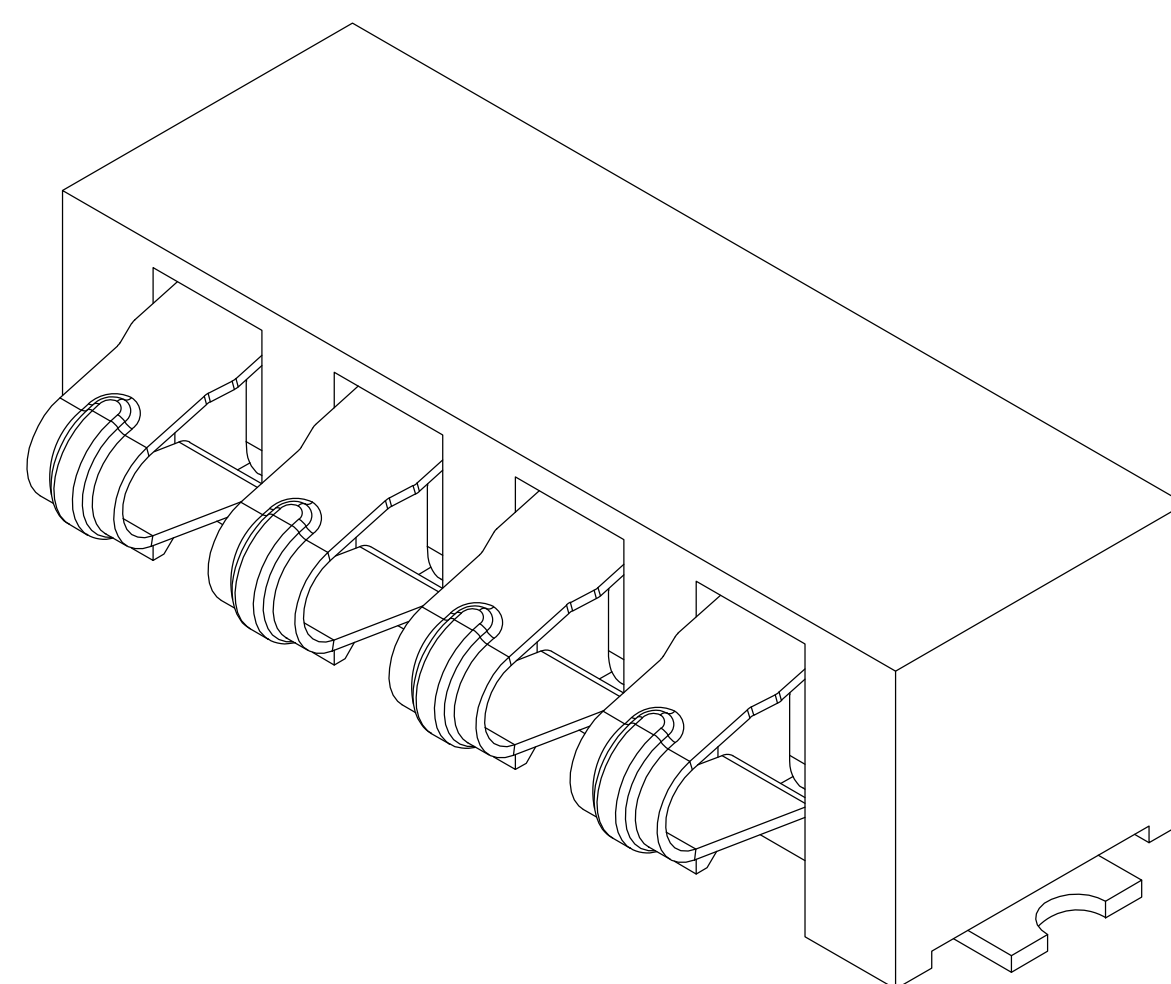
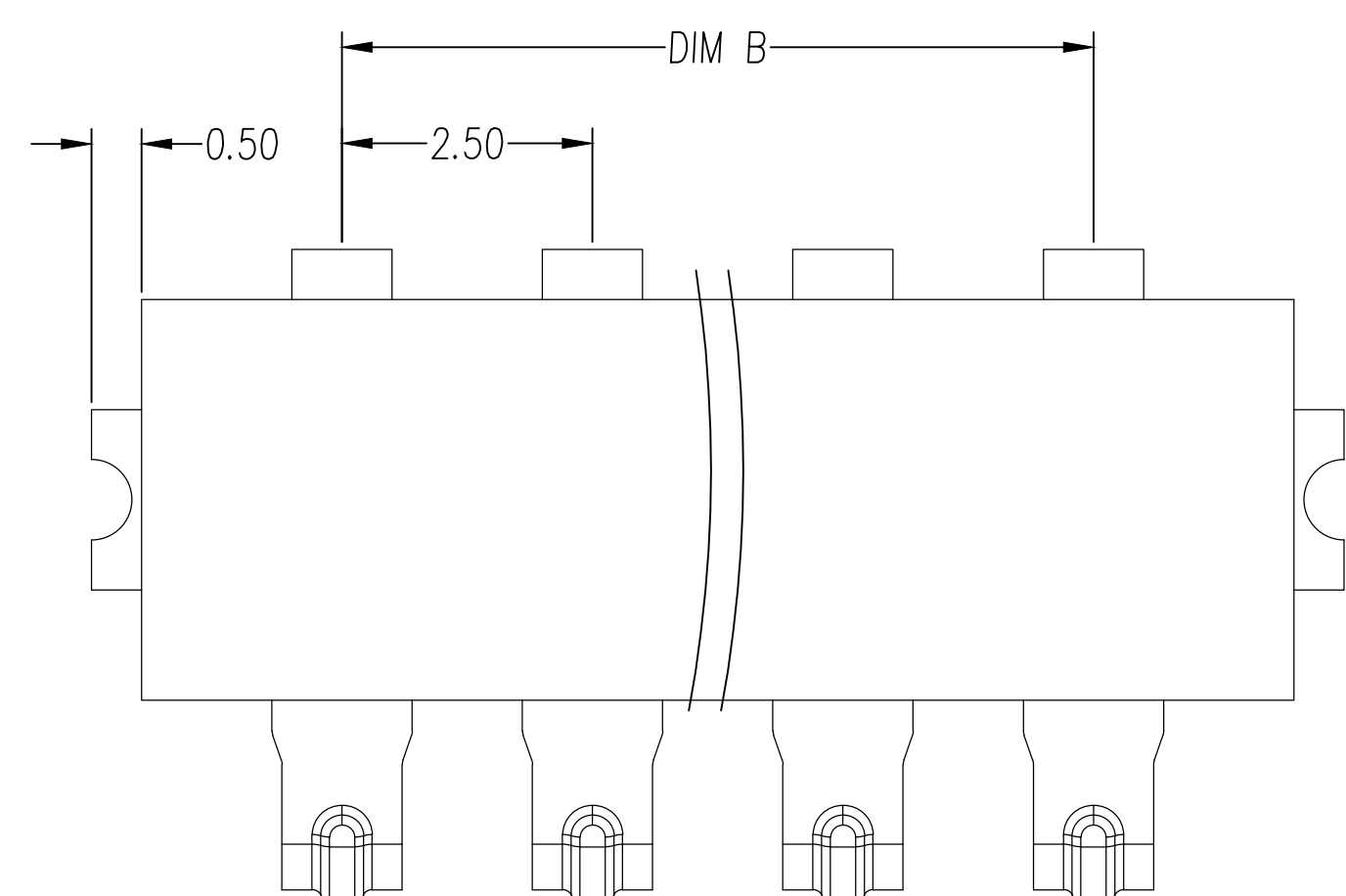


性能:

- 额定电流: 2.0A
- 额定电压: 12V
- 耐电压: 500V
- 接触电阻: 30mΩ
- 绝缘电阻: 500MΩ
- 工作温度: -40℃~+85℃
- 塑件(材质): LCP
- 接触点(材质): 磷铜, 触点镀金3U"
- 使用寿命: 3000次以上



PART NO.	DIM A	DIM B	DIM C
BC3P25H380D	9.0	5.0	2.5
BC4P25H380D	11.5	7.5	5.0
BC5P25H380D	14.0	10.0	7.5
BC6P25H380D	16.5	12.5	10.0

HAOFU ELECTRONICS TECHNOLOGY CO.,LTD

COPYRIGHT RESERVED,PLEASE DO NOT COPY.

PART NAME		CONNECTOR		DRAWING	Y,C,ZHANG	DWG.No.	SBICL
PART NO.		BCNP25H380D		CHECK	G.C.Chen	REV.	A1
UNIT : mm	TOLERANCE	UP TO 5	±0.2	ANGLE	APPROVAL	DATE	09-11-2018
	OTHERWISE	ABOVE 5~30	±0.3				
		SCALE	2:1	PAGE		1 OF 1	