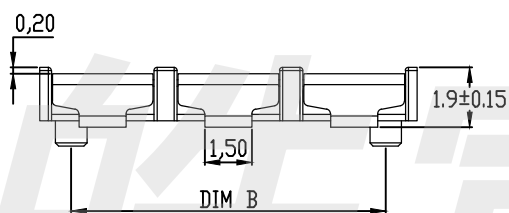
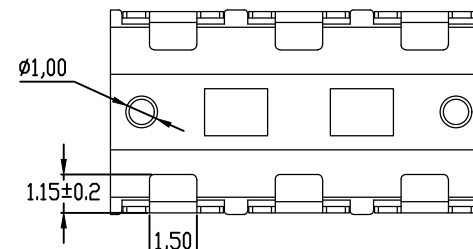
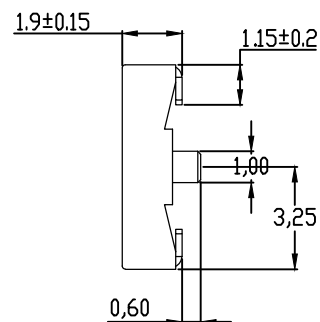
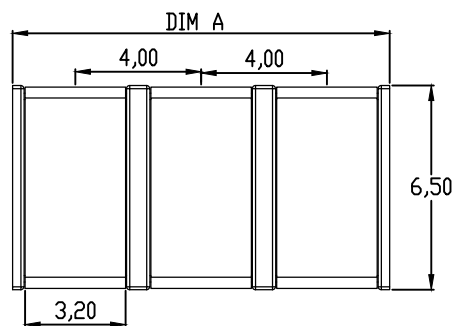


RoHS
Compliant



性能:

额定电流: 5.0A

额定电压: 30V

耐电压: 500V

接触电阻: 30mΩ

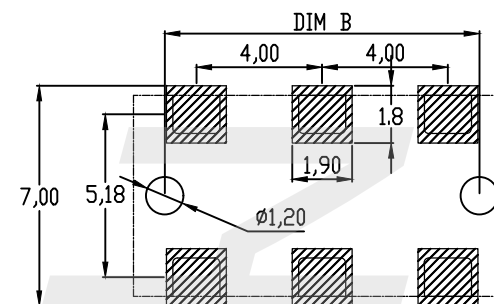
绝缘电阻: 500MΩ

工作温度: -55℃~+125℃

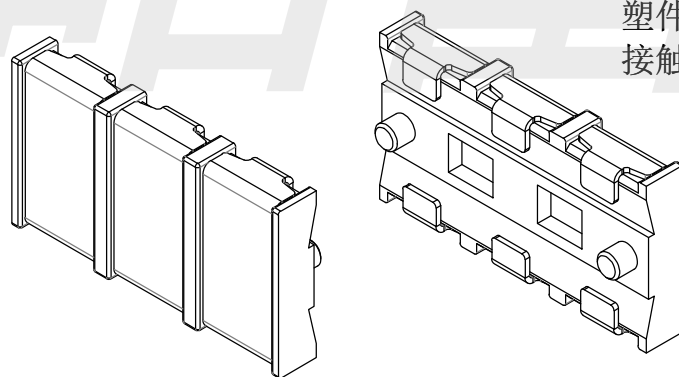
使用寿命: 10000次以上

塑件(材质): PA9T黑色

接触点(材质): 黄铜C2680, 镀金



RECOMMENDED PCB LAYOUT
TOP VIEW(.XX±0.05)



规格	DIM A	DIM B
BC1P40H190	4.0	2.0
BC2P40H190	8.0	6.0
BC3P40H190	12.0	10.0
BC4P40H190	16.0	14.0
BC5P40H190	20.0	18.0
BC6P40H190	24.0	22.0

HAOFU ELECTRONICS TECHNOLOGY CO.,LTD

COPYRIGHT RESERVED,PLEASE DO NOT COPY.

PART NAME		CONNECTOR		DRAWING	Y,C,ZHANG	DWG.No.	SBICL
PART NO.		BCNP40H190		CHECK	G.C.Chen	REV.	A1
UNIT : mm	TOLERANCE OTHERWISE	UP TO 5	±0.2	ANGLE	APPROVAL	DATE	18-06-2019
		ABOVE 5~30	±0.3			PAGE	1 OF 1
		ABOVE 30	±0.5	SCALE	2:1		
		ANGLE	±3°				