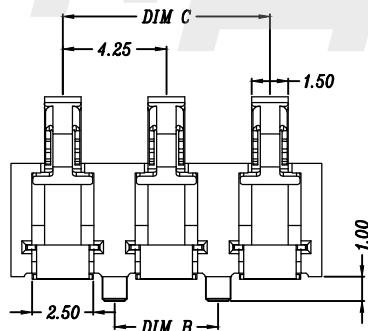
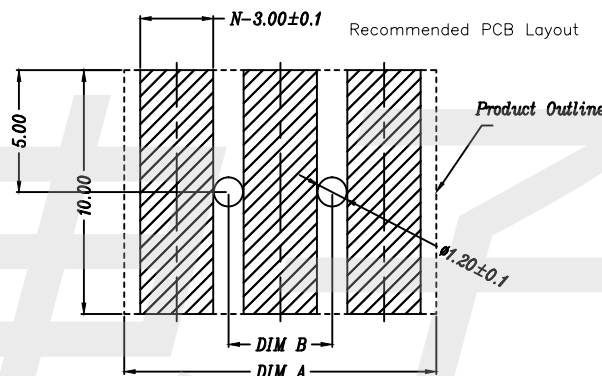
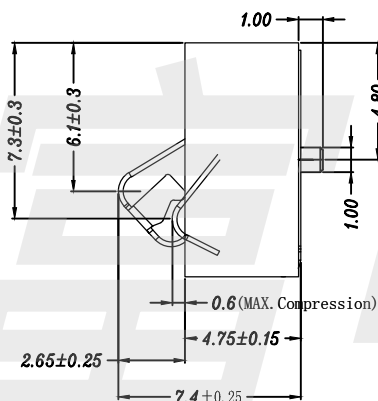
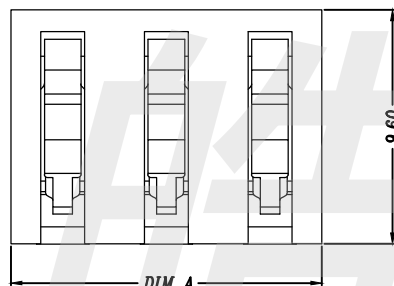
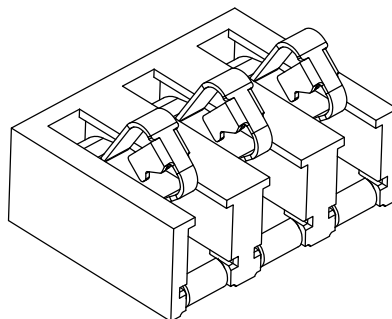
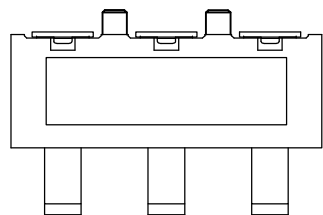


性能:

额定电流: 5.0A  
 额定电压: 30V  
 耐电压: 500V  
 接触电阻: 50mΩ Max  
 绝缘电阻: 500MΩ Min  
 工作温度: -40℃~+85℃  
 塑件(材质): LCP  
 接触点(材质): 磷铜, 触点镀金3U",  
 使用寿命: 5000次以上



Pin数(N)	PART NO.	DIM A	DIM B	DIM C
3Pin	BC3P425H74	12.75	4.25	8.5
4Pin	BC4P425H74	17.0	8.5	12.75
5Pin	BC5P425H74	21.25	12.75	17.0
6Pin	BC6P425H74	25.5	17.0	21.25

HADFU ELECTRONICS TECHNOLOGY CO.,LTD

COPYRIGHT RESERVED,PLEASE DO NOT COPY.

PART NAME		CONNECTOR		DRAWING	Y,C,ZHANG	DWG.No.	SBICL
PART NO.		BC3P425H74		CHECK	G.C.Chen	REV.	A1
UNIT : mm	TOLERANCE	UP TO 5	±0.2	APPROVAL	SCALE	DATE	02-03-2015
	OTHERWISE	ABOVE 5~30	±0.3			ANGLE	PAGE
			ABOVE 30	0°±3'	2:1		