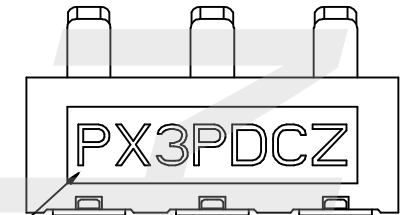
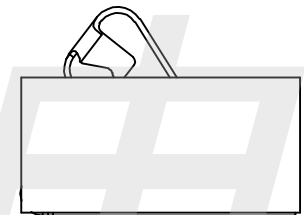
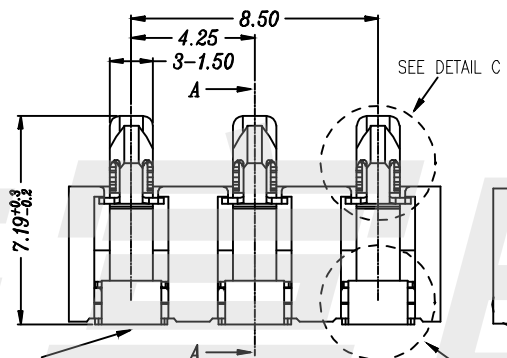
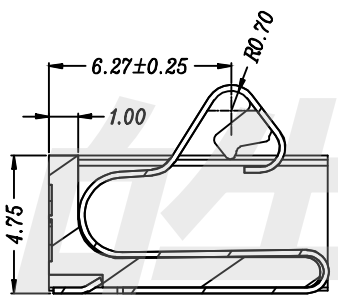
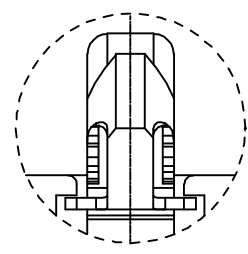
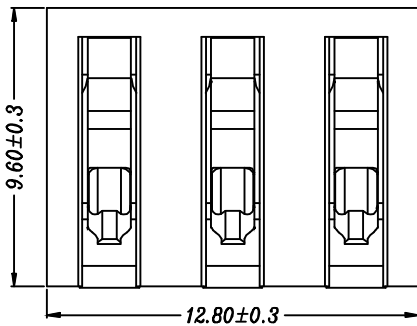
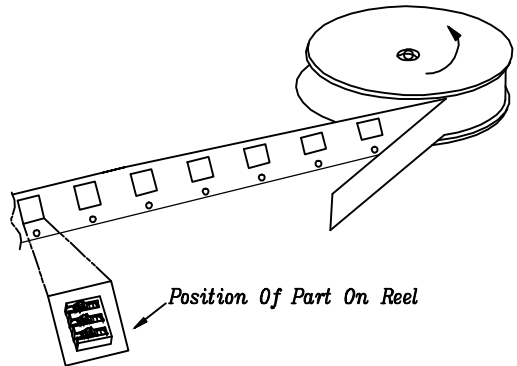


RoHS
Compliant

性能:

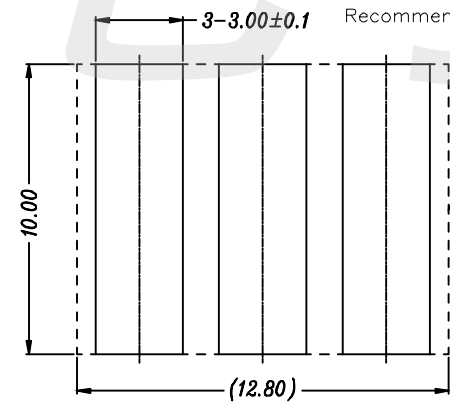
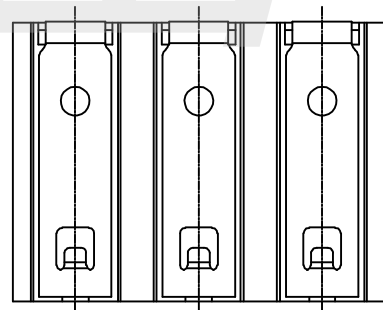
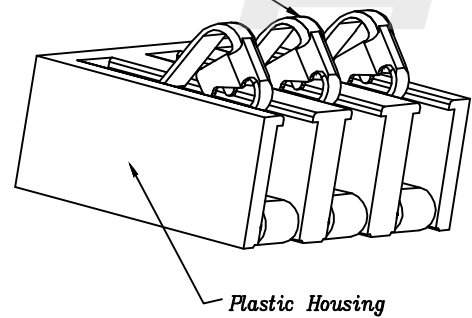
额定电流: 5.0A
 额定电压: 30V
 耐电压: 500V
 接触电阻: 50mΩ Max
 绝缘电阻: 500MΩ Min
 工作温度: -40℃~+85℃
 塑件(材质): LCP
 接触点(材质): 磷铜, 触点镀金3U",
 使用寿命: 5000次以上



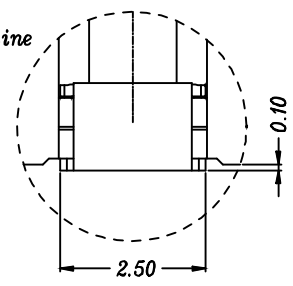
3-Spring Contacts

0.10
3 Surfaces

3-3.00±0.1 Recommended PCB Layout



Product Outline



HAOFU ELECTRONICS TECHNOLOGY CO.,LTD

COPYRIGHT RESERVED,PLEASE DO NOT COPY.

PART NAME		CONNECTOR		DRAWING	Y,C,ZHANG	DWG.No.	SBICL
PART NO.		RX3PDCZ		CHECK	G.C.Chen	REV.	A1
UNIT : mm	TOLERANCE	UP TO 5	±0.2	APPROVAL	SCALE	DATE	11-05-2014
	OTHERWISE	ABOVE 5~30	±0.3			PAGE	1 OF 1
		ABOVE 30	±0.5		2:1		
		ANGLE	±3°				