

PART NO.	DIM A	DIM B
BC3P25H40F	4.0	5.90±0.2
BC3P25H45F	4.5	6.40±0.2
BC3P25H55F	5.5	7.40±0.2

性能:

额定电流: 2.0A

额定电压: 12V

耐电压: 500V

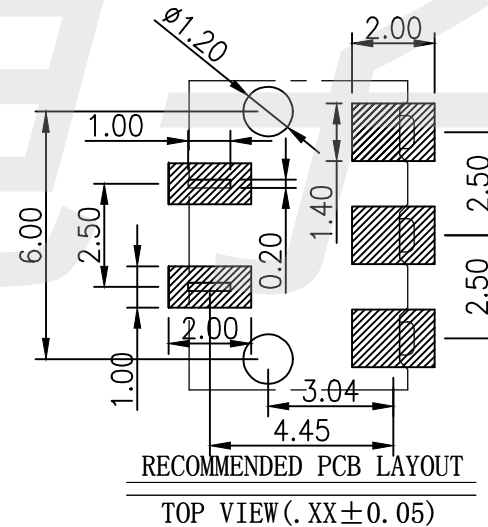
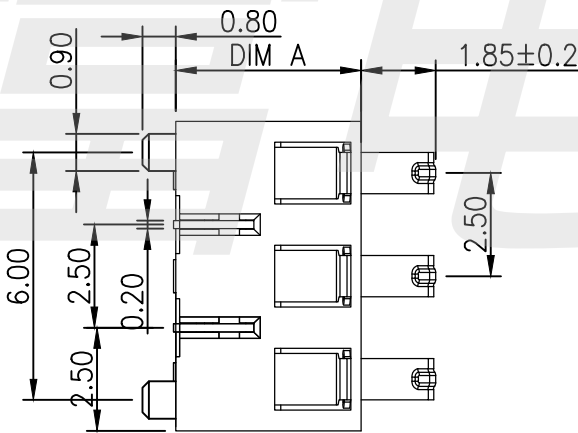
接触电阻: 30mΩ 以内

绝缘电阻: 500MΩ

工作温度: -40℃~+85℃

塑件(材质): LCP

接触点(材质): 磷铜, 触点镀金3U"



HAOFU ELECTRONICS TECHNOLOGY CO.,LTD

COPYRIGHT RESERVED,PLEASE DO NOT COPY.

PART NAME		CONNECTOR		DRAWING	Y,C,ZHANG	DWG.No.	SBICL
PART NO.		BC3P25HXXF		CHECK	G.C.Chen	REV.	A1
UNIT : mm	TOLERANCE OTHERWISE	UP TO 5	±0.2	ANGLE	APPROVAL	DATE	
		ABOVE 5~30	±0.3				
		ABOVE 30	±0.5	0°±3'	SCALE	PAGE	1 OF 1
		ANGLE	±3'		2:1		