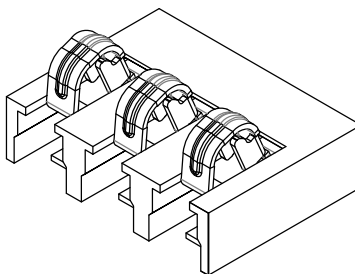
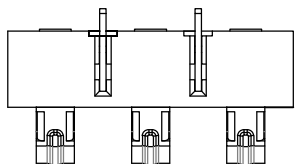
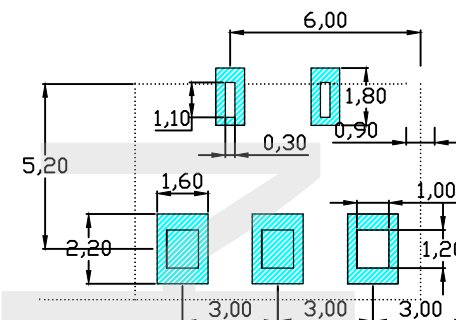
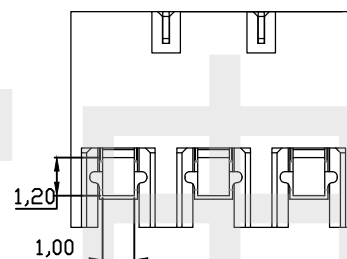
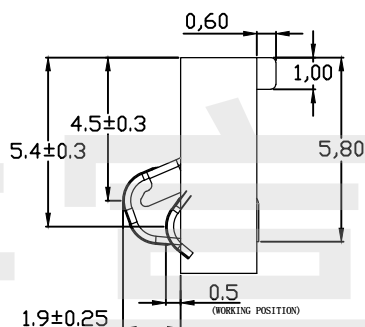
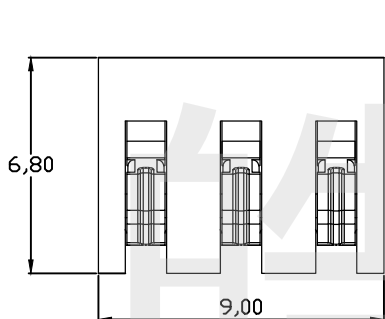


RoHS  
Compliant



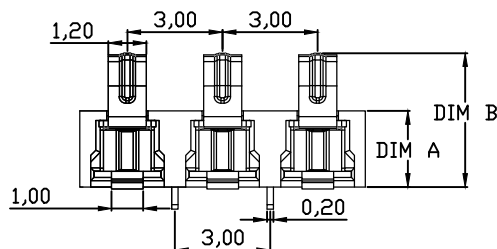
PART NO.	DIM A	DIM B
BC3P30H24-C06	2.4	4.30 ± 0.25
BC3P30H35-C06	3.5	5.40 ± 0.25



RECOMMENDED PCB LAYOUT  
TOP VIEW (.XX ± 0.05)

性能:

- 额定电流: 3.0A
- 额定电压: 24V
- 耐电压: 500V
- 接触电阻: 30m Ω MAX
- 绝缘电阻: 500M Ω
- 工作温度: -40℃ ~ +85℃
- 塑件 (材质): LCP, 耐高温260℃
- 接触点 (材质): 铜合金, 触点镀金3U



HAOFU ELECTRONICS TECHNOLOGY CO.,LTD

COPYRIGHT RESERVED, PLEASE DO NOT COPY.

PART NAME		CONNECTOR		DRAWING	Y,C,ZHANG	DWG.No.	SBICL
PART NO.		BC3P30HXX-C06		CHECK	G.C.Chen	REV.	A1
UNIT :	TOLERANCE OTHERWISE	UP TO 5	±0.2	ANGLE	APPROVAL	DATE	
		ABOVE 5 ~ 30	±0.3				
mm		ABOVE 30	±0.5	0° ± 3'	SCALE	PAGE	1 OF 1
		ANGLE	±5'		2:1		