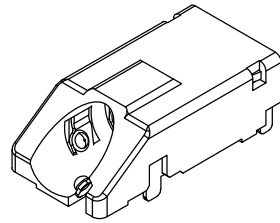
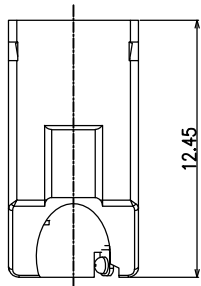
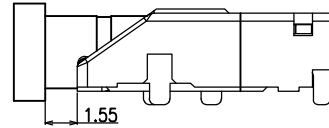


NOTES:

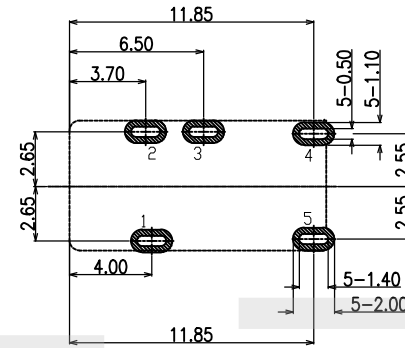
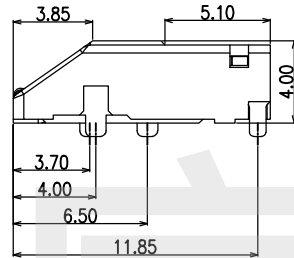
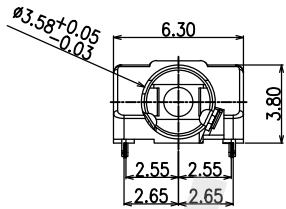
- CONTACT CURRENT RATING: 1A.
- CONTACT RESISTANCE: 50 mΩ MAX.;
- INSULATION RESISTANCE: 100MΩ MIN.;
- DIELECTRIC WITHSTANDING: 500V AC MIN.;
- DURABILITY: 5,000 CYCLES MIN.;
- CONNECTOR MATING FORCES: 30N MAX.;
- CONNECTOR UNMATING FORCES: 3N MIN.;



3D VIEW

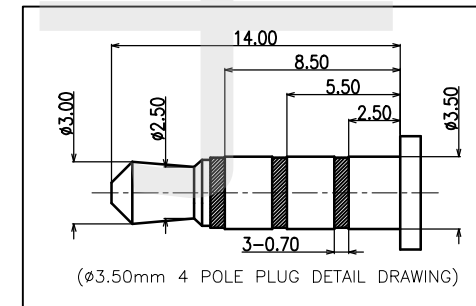
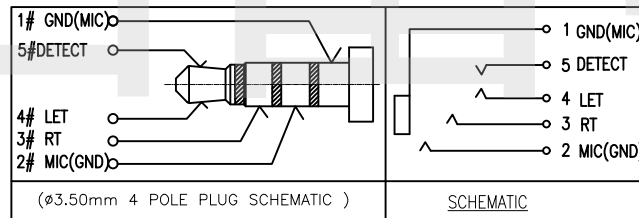
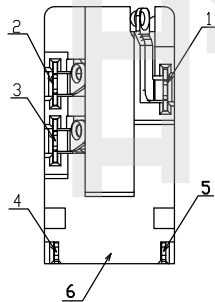


PLUG MATE DRAWING



RECOMMEND FPC LAYOUT

TOLERANCE :±0.05



ITEM	PART NAME	Q'TY	MATERIAL	REMARK
6	HOUSING	1	HIGHT TEMPERATURE PLASTIC; COLOR BLACK	
5	CONTACT 5#	1	STAINLESS STEEL; NICKEL UNDER PLATING OVERALL,GOLD FLASH PLATING ON SOLDER AREA ;GOLD FLASH PLATING ON CONTACT AREA	T=0.20mm
4	CONTACT 4#	1		T=0.20mm
3	CONTACT 3#	1		T=0.20mm
2	CONTACT 2#	1	COPPER ALLOY; NICKEL UNDER PLATING OVERALL,GOLD FLASH PLATING ON SOLDER AREA ;GOLD FLASH PLATING ON CONTACT AREA	T=0.20mm
1	CONTACT 1#	1		T=0.20mm

HAOFU ELECTRONCS TECHNOLOGY CO.,LTD

PART NAME	PHONE JACK		DRAWING	Y,C,ZHANG	DWG.No.	SBICL
PART NO.	PJ-625		CHECK	G.C.Chen	REV.	A1
UNIT :	TOLERANCE	ANGLE	APPROVAL	DATE		
mm	OTHERWISE	OTHERWISE	SCALE	PAGE	1 OF 1	

COPYRIGHT RESERVED,PLEASE DO NOT COPY.