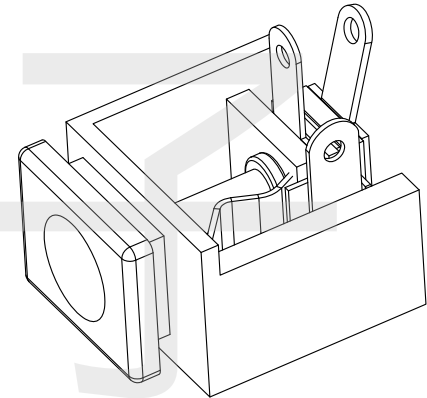


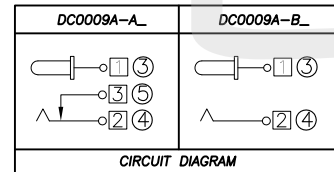
Specification:

1. Rating : DC 20V 2.5A;
2. Contact resistance: $\leq 30m\Omega$;
After test: $\leq 50m\Omega$
3. : Insulation resistance $\geq 100M\Omega$ (500VDC);
After test: $\geq 50M\Omega$
4. Withstand voltage: 500VAC ;
5. Insertion and extraction force: 3N~30N;
6. life test: 5000cycles min;
7. Operation temperature range: $-20^{\circ}C \sim 70^{\circ}C$;
8. Preservation temperature range: $-40^{\circ}C \sim 85^{\circ}C$;

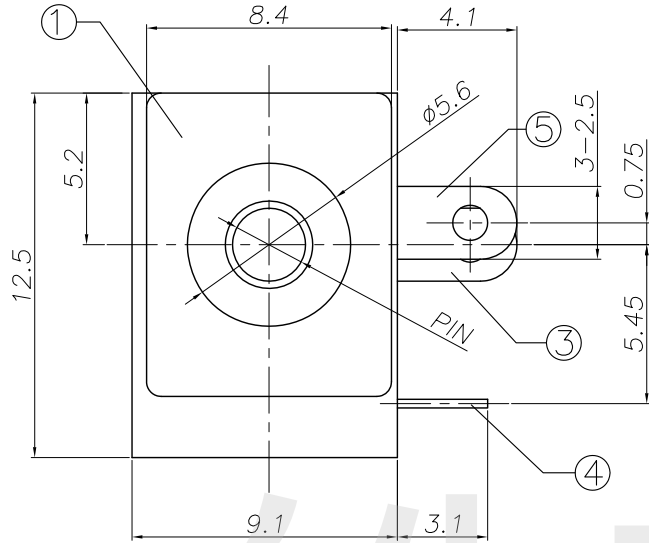
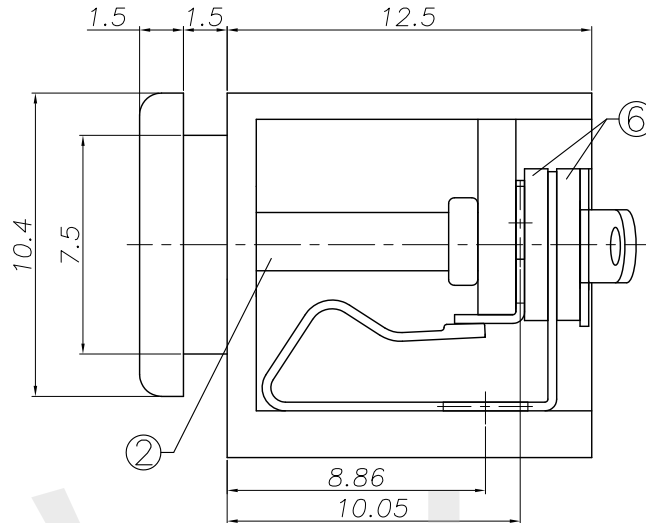
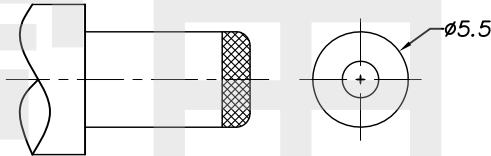


| Model No. | DC0009A- <u>H</u> | DC0009A- <u>I</u> | DC0009A- <u>J</u> |
|-----------|-------------------|-------------------|-------------------|
| PIN | $\phi 2.0$ | $\phi 2.35$ | $\phi 2.5$ |

| ⑥ | Spacer | 2 | PF | |
|-----|---------------------|-----|-------------|------------|
| ⑤ | Shunt terminal | 1 | Brass | Sn-Plating |
| ④ | Tip spring | 1 | SUS301 | Sn-Plating |
| ③ | Center pin terminal | 1 | Brass | Sn-Plating |
| ② | Center pin | 1 | Brass | Ni-Plating |
| ① | Housing | 1 | PBT UL94V-0 | |
| NO. | DESCRIPTION | QTY | MATERIAL | PLATING |

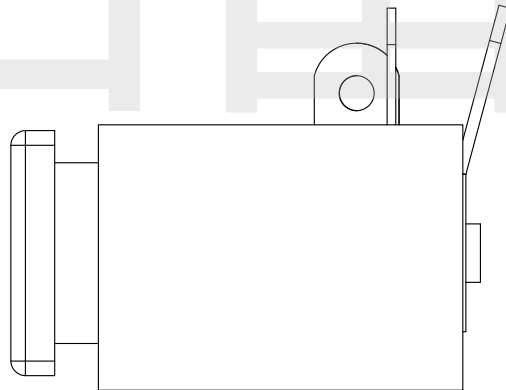


DC MATE PLUG



DC 0 0 0 9 A - □ □ □ □ □ □ □ □ □
① ② ③ ④ ⑤ ⑥ ⑦ ⑧ ⑨

- ①:Series type:DC=DC POWER JACK
- ②:Series No.
- ③:Schematic option:
A、B
- ④:Center pin diameter:
H: $\phi 2.0$, I: $\phi 2.35$, J: $\phi 2.5$
- ⑤:Material of housing:
PB=PBT (Standard)
- ⑥:Housing color:
0A=Black (Standard)
- ⑦:Terminal plating:
T:Tin(Sn)
- ⑧:Special option:
0:No special option
- ⑨:Packing mode:
4:Bag packing



HADFU ELECTRONCS TECHNOLOGY CO.,LTD

COPYRIGHT RESERVED,PLEASE DO NOT COPY.

| PART NAME | | DC POWER JACK | | DRAWING | | Y,C,ZHANG | | DWG.No. | | SBICL | |
|-----------|----|------------------------|------------|-----------------|-------|-----------|------|------------|------|--------|-------|
| PART NO. | | DC-009A | | CHECK | | G.C.Chen | | REV. | | A1 | |
| UNIT : | mm | TOLERANCE OTHERWISE | UP TO 5 | ± 0.2 | ANGLE | APPROVAL | DATE | 07-06-2012 | PAGE | 1 OF 1 | SCALE |
| | | | ABOVE 5~30 | ± 0.3 | | | | | | | |
| | | | ABOVE 30 | ± 0.5 | | | | | | | |
| | | | ANGLE | $\pm 3^{\circ}$ | | | | | | | |