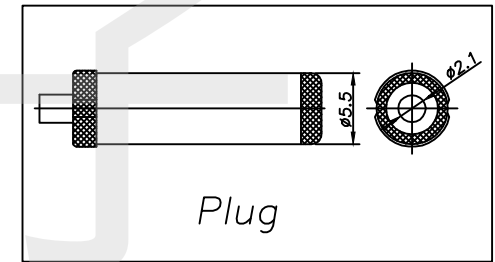
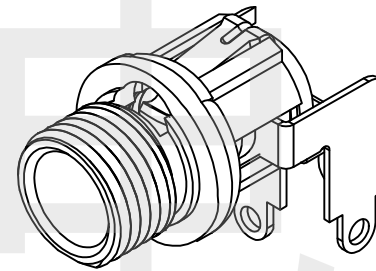
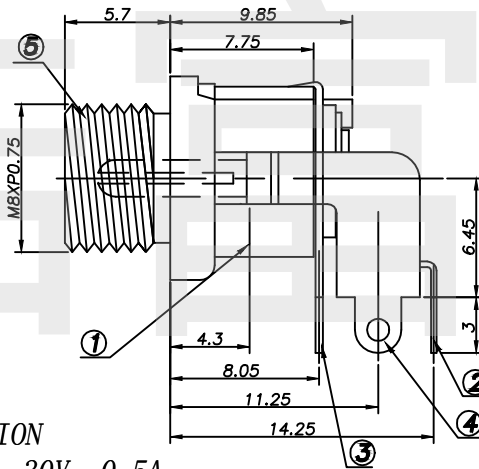
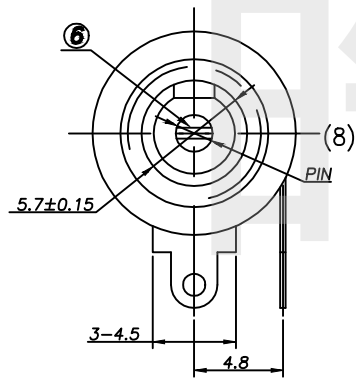


PIN	ø2.0	ø2.5	
-----	------	------	--



SPECIFICATION

- Rated Load : 30V 0.5A;
- Contact resistance:  $\leq 30m\Omega$ ;
- Insulation resistance:  $\geq 100M\Omega$  ;
- Withstand voltage: AC500V ;
- Insertion and extraction force: 3-30N;
- life test: 5,000 cycles.

⑧	Nut	1	H59	Ni-Plating
⑦	Washer	1	SPCC	Ni-Plating
⑥	Pin (ø2.0)	1	Phosphor bronze	Ni-Plating
⑤	Bushing	1	Brass	Ni-Plating
④	Shunt Terminal	1	Phosphor bronze	Cu-Sn-Plating
③	Tip Spring	1	Phosphor bronze	Cu-Sn-Plating
②	Center pin terminal	1	Brass	Cu-Sn-Plating
①	Housing	1	PBT	Black
NO.	DESCRIPTION	QTY	MATERIAL	PLATING

HAOFU ELECTRONCS TECHNOLOGY CO.,LTD

PART NAME		DC POWER JACK		DRAWING	Y,C,ZHANG	DWG.No.	SBICL
PART NO.		DC-026M		CHECK	G.C.Chen	REV.	A1
UNIT : mm	TOLERANCE OTHERWISE	UP TO 5	±0.2	ANGLE	APPROVAL	DATE	PAGE
		ABOVE 5~30	±0.3				
		ABOVE 30	±0.5	0°±3'	SCALE	2:1	1 OF 1

COPYRIGHT RESERVED,PLEASE DO NOT COPY.