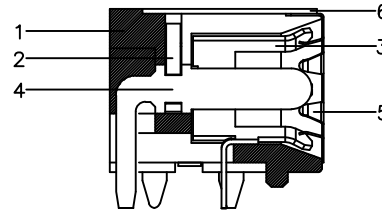
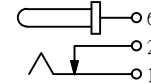
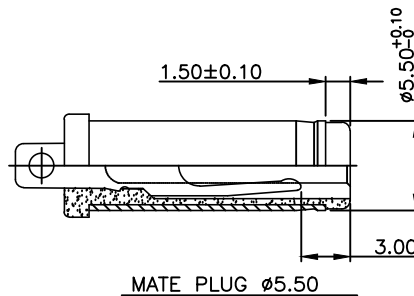
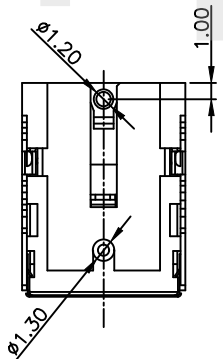
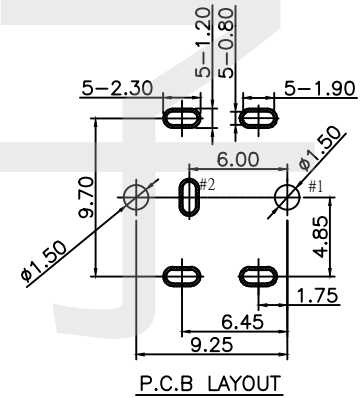
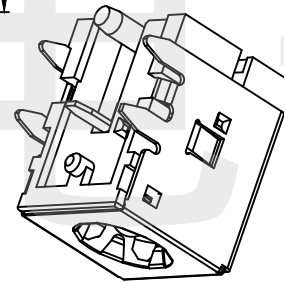
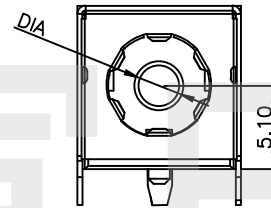
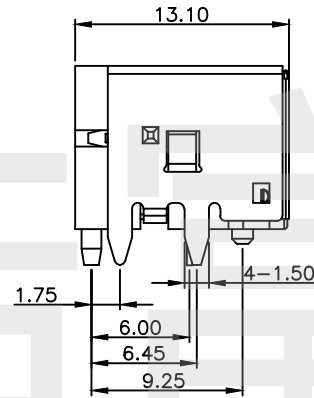
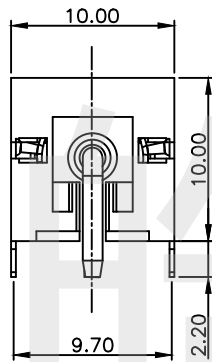


PART NO.	DIA.
DC-0071-2.0	2.0
DC-0071-2.5	2.5



**SPECIFICATIONS**

1. ELECTRICAL CHARACTERISTICS:
  - 1-1. RATING: DC 8A 24V
  - 1-2. CONTACT RESISTANCE: 30mΩ MAX(INITIAL)
  - 1-3. DIELECTRIC WITHSTANDING VOLTAGE: 500V AC FOR ONE MINUTE
  - 1-4. INSULATION RESISTANCE: 100MΩ MIN, MEASURED BY 500V DC
2. MECHANICAL PERFORMANCE
  - 2.1. OPERATING FORCE :0.5-3.0kgf
3. LIFE TEST
  - 3.1. ELECTRONICS LIFE TEST 5,000 CYCLES.
4. MEASURING CONDITION:
  - 4.1. TEMPERATURE: FROM 5°C TO 35°C.
  - 4.2. RELATIVE HUMIDITY: FROM 45% TO 85%RH .
5. ENVIRONMENTAL SPECIFICATIONS:
  - 5.1. HUMIDITY TEST: HUMIDITY 90% TO 95% TEMPERATURE 40 ± 2°C FOR 96 HOURS.
  - 5.2. HEAT TEST: TEMPERATURE 80 ± 2°C (HUMIDITY BELOW 50%)
  - 5.3. COLD TEST: TEMPERATURE -40 ± 2°C FOR 96 HOURS.



**SCHEMATIC**

6	FRAME	C2680	1	Ni PLATED
5	COVER	SUS	1	Ni PLATED
4	PIN TEMRINAL(D)	C2680	1	Au PLATED
3	SPRING CONTACT(T)	C5210	1	Ag PLATED
2	COVER	PA10T 94V0	1	BLACK
1	HOUSING	PA10T 94V0	1	BLACK
No.	DESCRIPTION	MATERIAL	QTY.	PLATING

HADFU ELECTRONCS TECHNOLOGY CO.,LTD

COPYRIGHT RESERVED, PLEASE DO NOT COPY.

PART NAME		DC POWER JACK		DRAWING		Z. L. Liang		DWG. No.	
PART NO.		DC-0071		CHECK		G. C. Chen		REV.	
UNIT :		TOLERANCE UNLESS OTHERWISE SPECIFIED		ANGLE		APPROVAL		DATE	
mm		X.X ± 0.3 X.XX ± 0.2 X.XXX ± 0.1		±2°		SCALE		1:1	
				APPROVAL		G. C. Chen		PAGE	
				SCALE		1:1		PAGE	
								1 OF 1	