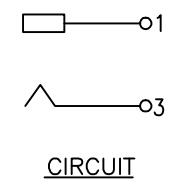
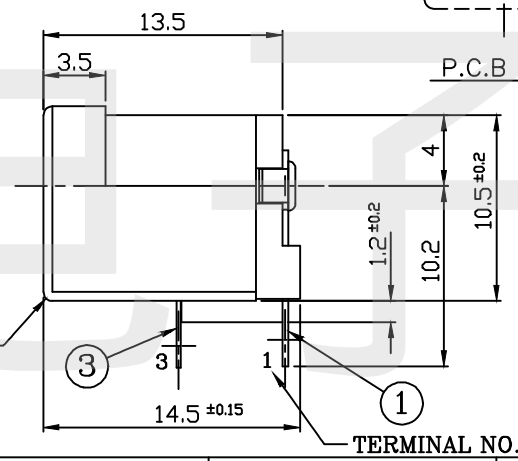
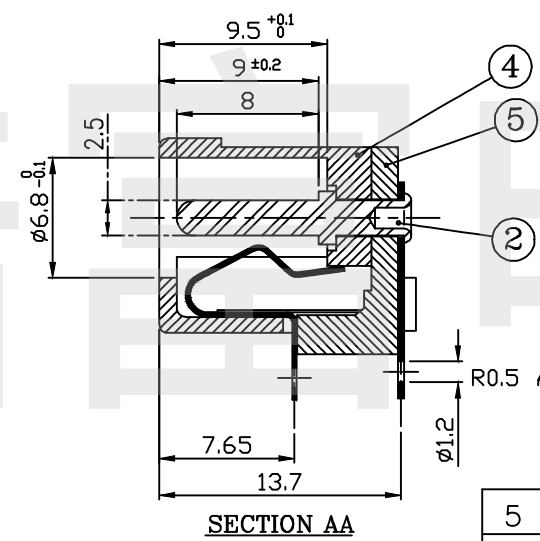
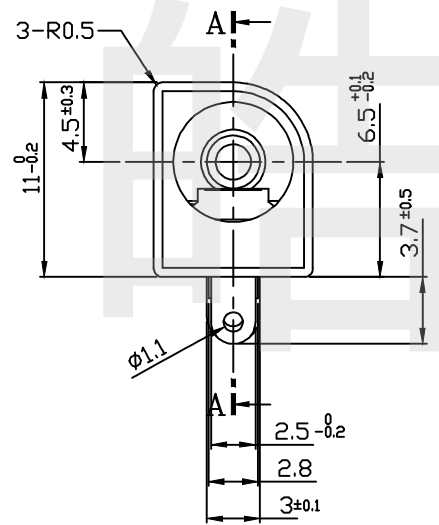
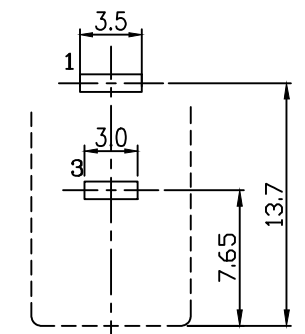


- 主要技术特性:
1. 额定电负荷: DC 12V, 10A;
  2. 接触电阻:  $\leq 30m\Omega$ ;
  3. 绝缘电阻:  $\geq 100M\Omega$ ;
  4. 耐压: AC500V(50-60HZ) 1min;
  5. 插拔力: 2.94-29.4N;
  6. 寿命: 5,000次。



PIN	Ø1.65	Ø2.0	Ø2.5
APPD			

5	COVER	PBT	1	BLACK
4	HOUSING	PBT	1	BLACK
3	TIP TERMINAL	C5210	1	Ag PLATED
2	PIN	C2680	1	Ni PLATED
1	EARTH TERMINAL	C2680	1	Ag PLATED
NO.	PARTS	MATERIAL	QTY.	FINISHING

HAOFU ELECTRONCS TECHNOLOGY CO., LTD

COPYRIGHT RESERVED,PLEASE DO NOT COPY.

PART NAME		DC POWER JACK		DRAWING	G.C.Chen	DWG.No.	SBD8
PART NO.		DC-0099		CHECK	G.C.Chen	REV.	A
UNIT :	TOLERANCE	UP TO 5	±0.2	ANGLE	APPROVAL	DATE	PAGE
		ABOVE 5~30	±0.3				
mm	OTHERWISE	ABOVE 30	±0.5	0°±3'			