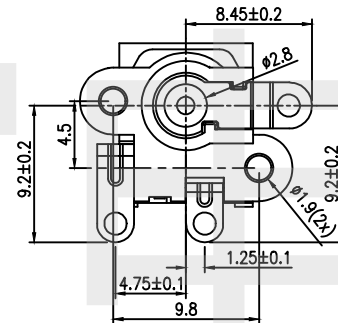
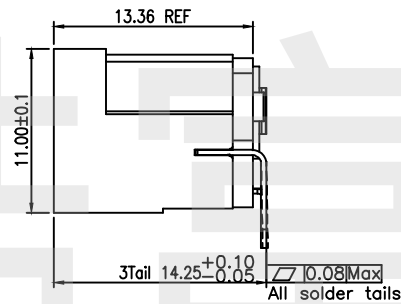
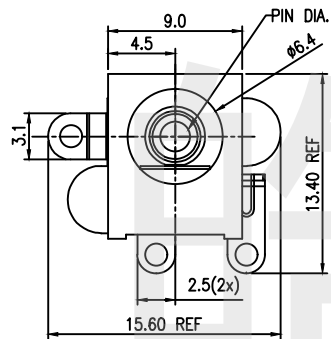


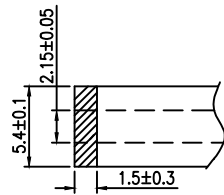
PCB LAYOUT TOP VIEW



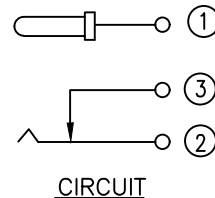
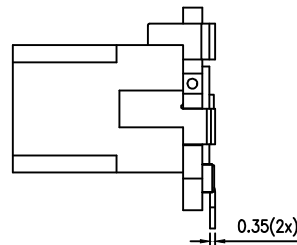
主要技术规格:

1. 额定值: 7A DC20V
2. 接触电阻: 50mΩ
3. 插拔力: 3-20N
4. 使用温度: -25°C TO +85°C
5. 绝缘电阻: 100MΩ
6. 抗电强度: 500V 50HZ 1Min.
7. 寿命: 5000 Cycles

Model No.	1	2	3	4
PINØ(X)	1.65	2.0	2.35	2.5



MATE PLUG



CIRCUIT

7	MYLAR	POLYIMIDE FILM	1	NATURAL
6	COVER	HIGH TEMP PLASTIC	1	BLACK
5	HOUSING	HIGH TEMP PLASTIC	1	BLACK
4	PIN	COPPER ALLOY	1	Ni PLATED
3	TERMINAL	COPPER ALLOY	1	Ag PLATED
2	TERMINAL	COPPER ALLOY	1	Ag PLATED
1	TERMINAL	COPPER ALLOY	1	Ag PLATED
NO.	PARTS	MATERIAL	QTY.	FINISHING

HAOFU ELECTRONCS TECHNOLOGY CO.,LTD

COPYRIGHT RESERVED,PLEASE DO NOT COPY.

PART NAME		DC POWER JACK		DRAWING		y.c.zhang		DWG.No.		Robin	
PART NO.		DC-515-X		CHECK		G.C.Chen		REV.		A	
UNIT :	UP TO 5	±0.2	ANGLE	APPROVAL	SCALE	2:1	DATE	PAGE	1 OF 1		
	ABOVE 5~30	±0.3									
mm	OTHERWISE	±0.5	0°±3'								