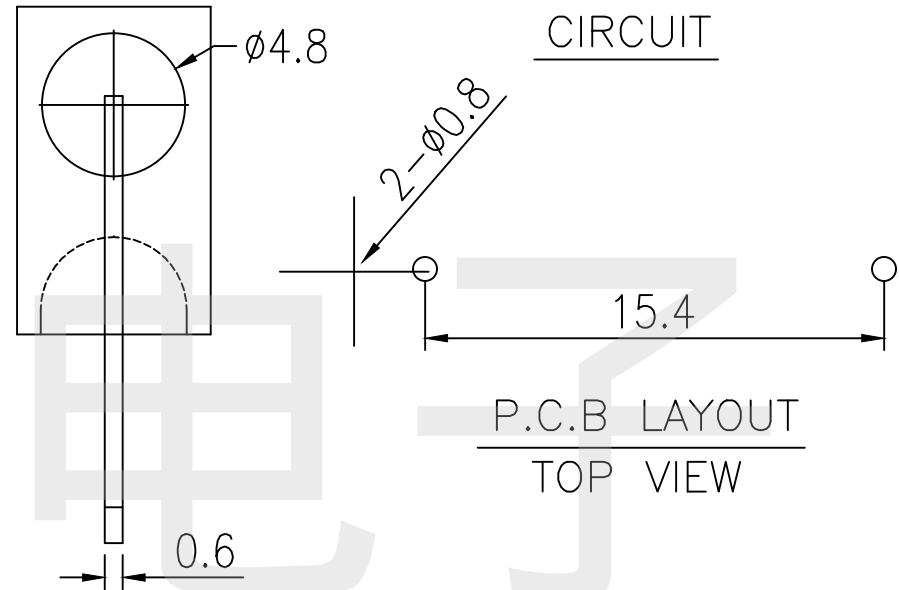
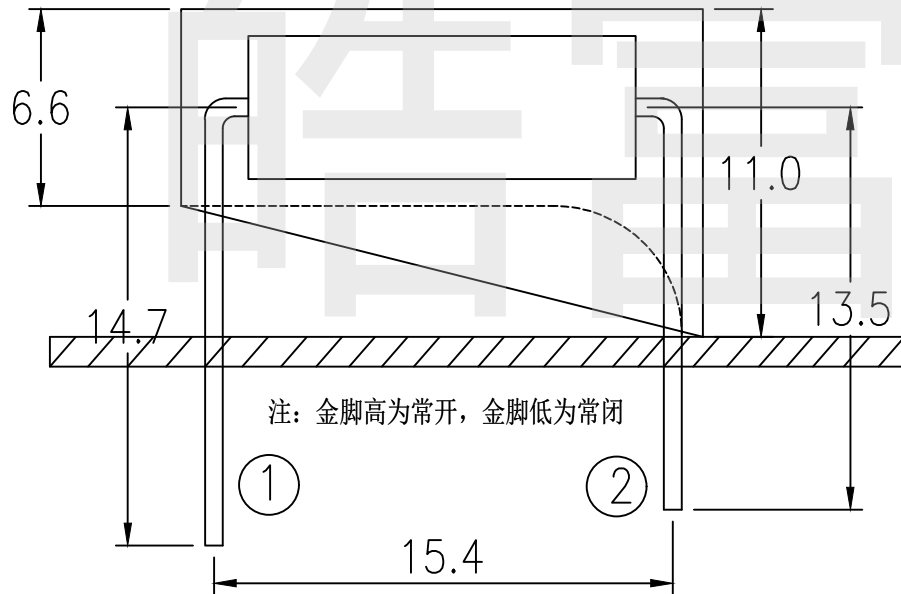


CIRCUIT



P.C.B LAYOUT
TOP VIEW



注：金脚高为常开，金脚低为常闭

电气特性: Electrical:

1. 额定电流: 0.2A
2. 额定电压: 12V
3. 导通时间: 约2ms
4. 开路电阻: >10M ohm
5. 耐温: -40°C — $+80^{\circ}\text{C}$
6. 闭路电阻: <2 ohm
7. 端子拉力: 500gf/min
8. 湿度: 95RH 40°C, 96H
9. 操作寿命: 80,000周期以上

HAOFU ELECTRONCS TECHNOLOGY CO.,LTD

COPYRIGHT RESERVED,PLEASE DO NOT COPY.

PART NAME		CONNECTOR		DRAWING	Y,C,ZHANG	DWG.No.	SBICL
PART NO.		SW-460D		CHECK	G.C.Chen	REV.	A1
UNIT : mm	TOLERANCE	UP TO 5	± 0.2	ANGLE	APPROVAL	DATE	
	OTHERWISE	ABOVE 5~30	± 0.3			SCALE	2:1
		ABOVE 30	± 0.5	$0^{\circ}\pm 3^{\circ}$			