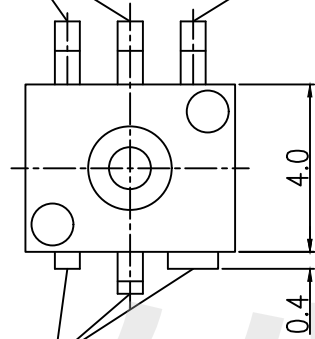
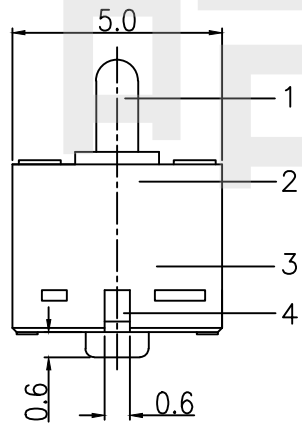


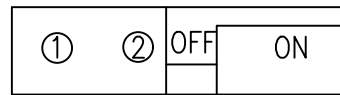
TREMINAL NO ② TREMINAL NO ①



TREMINAL NO ①

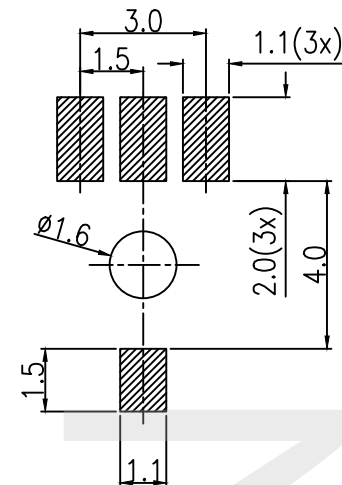
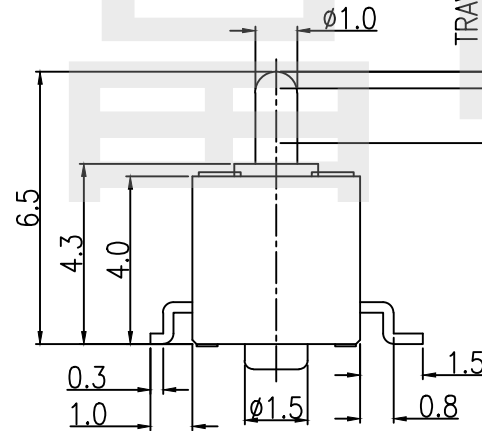


SWITCHING SEQUENCE

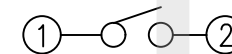


0 0.5±0.3 1.7
TRAVEL POSITION(X)

TRAVEL POSITION(X)
1.7 TOTAL TRAVEL



P.C.B LAYOUT
TOP VIEW



CIRCUIT

6	SPRING	C5210	1	EP-Ni, Ag
5	CLIPS	C5210	1	EP-Ni, Ag
4	TERMINAL	C2680	1	EP-Ni, Ag
3	BASE	PA46	1	BLACK
2	COVER	PA46	1	BLACK
1	KNOB	PA46	1	BLACK
NO.	PARTS	MATERIAL	QTY.	FINISHING

HAOFU ELECTRONCS TECHNOLOGY CO., LTD

PART NAME		MICRO DETECTOR SWITCH		DRAWING		Y.C.ZHANG		DWG.No.	
PART NO.		TC-0040		CHECK		G.C.Chen		REV.	
	UNIT :	TOLERANCE	UP TO 5	±0.2	ANGLE	APPROVAL		DATE	
	mm		OTHERWISE	ABOVE 5~30					

COPYRIGHT RESERVED,PLEASE DO NOT COPY.