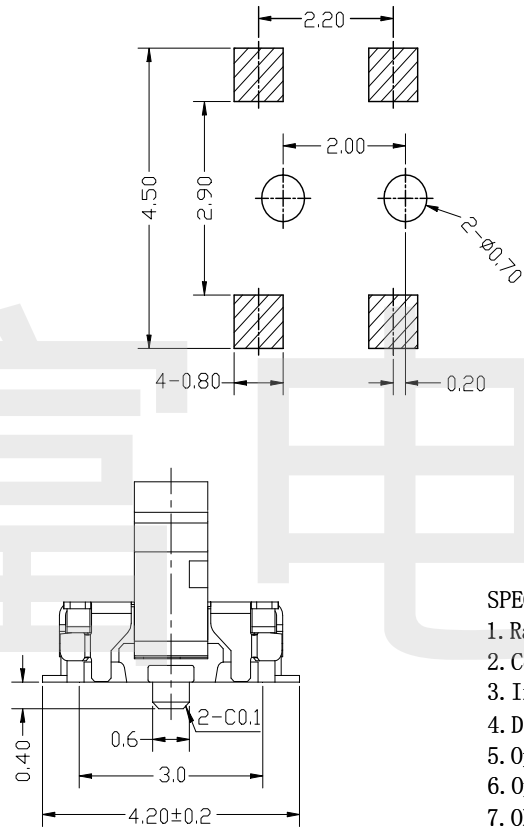
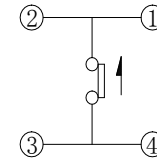


REFERENCE DRAWING

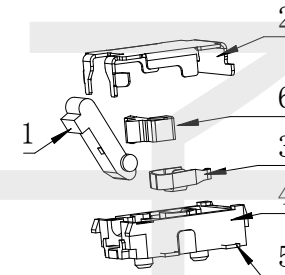
PCB WELDING DIMENSIONS



ELECTRICAL DIAGRAM



MATERIAL PORTFOLIO CHART



SPECIFICATION

1. Rating: 1mA 5V DC Max. 1mA 3V DC Min
2. Contact resistance: 3Ω MAX
3. Insulation resistance: 100MΩ Min. 100V DC
4. Dielectric strength: 100V AC/min
5. Operating force: 35gf Max
6. Operating life: 50,000 cycles
7. OPERATING TEMP: -40°C to +85°C

NO (序号)	PART NAME (部件名)	QTY (数量)	MATERIAL (材料)	REMARK (备注)
6	SPACER (垫片)	1	PA46	
5	TERMINAL (端子)	1	PHOSPHOR	Ag plating
4	HOUSING (基座)	1	PA6T	
3	CONTACT FORM (弹片)	1	PHOSPHOR	Ag plating
2	COVER (盖板)	1	SUS	
1	STEM (按钮)	1	PA46	

HAOFU ELECTRONCS TECHNOLOGY CO.,LTD

COPYRIGHT RESERVED,PLEASE DO NOT COPY.

PART NAME		DETECTION SWITCH		DRAWING		Y,C,ZHANG		DWG.No.		SBICL	
PART NO.		TD-1621UA-01		CHECK		G.C.Chen		REV.		A1	
	UNIT :	TOLERANCE	UP TO 5	±0.2	ANGLE	APPROVAL		DATE			
	mm		OTHERWISE	ABOVE 5~30							