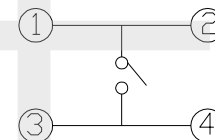
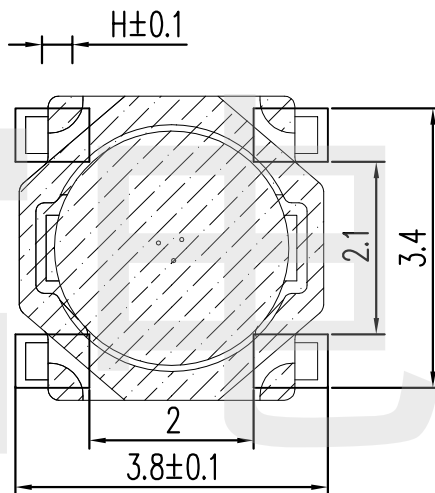
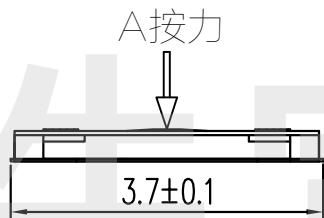


| | | |
|----|---------|-------|
| 客选 | 高度 | PCS/盘 |
| | H=0.4mm | 10000 |

| | |
|----|--------------------------------------|
| 客选 | 按力规格 A |
| | 160 ⁺⁴⁰ ₋₂₀ gf |
| | 260 ⁺⁴⁰ ₋₂₀ gf |
| | 300 ⁺⁴⁰ ₋₂₀ gf |



PCB板焊盘尺寸

电路图

| NO. | NAME | MATERIAL | FINISHING |
|-----|---------------------|--------------------|----------------|
| 1 | TERMINAL | phosphorous bronze | Silver plating |
| 2 | CASE | LCP | White |
| 3 | CONTACT | SUS301 | Silver plating |
| 4 | Waterproof membrane | PI | Yellow |

| SPECIFICATIONS | |
|-----------------------------|-------------------|
| Operating temperature rangs | -30° to +85° |
| Rating | DC 12V 50mA Max. |
| Lifetime | 50000 Cycles min |
| Contact Resistance | 100mΩ Max |
| Dielectric strength | 250V AC for 1min. |
| Travel | 0.15±0.1mm |
| Solder temperature | 255±5° |

HAOFU ELECTRONCS TECHNOLOGY CO.,LTD

COPYRIGHT RESERVED,PLEASE DO NOT COPY.

| | | | | | | | |
|--------------|-----------|------------------------|--------------|----------|-----------|---------|--------|
| PART NAME | | SWITCH | | DRAWING | Y,C,ZHANG | DWG.No. | SBICL |
| PART NO. | | TD-1832UR | | CHECK | G.C.Chen | REV. | A1 |
| UNIT : mm | TOLERANCE | UP TO 5 ABOVE 5 ~30 | ±0.2 ±0.3 | APPROVAL | SCALE | DATE | |
| | OTHERWISE | ABOVE 30 ANGLE | ±0.5 ±3° | | | PAGE | 1 OF 1 |