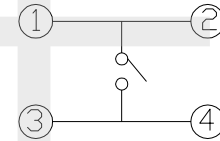
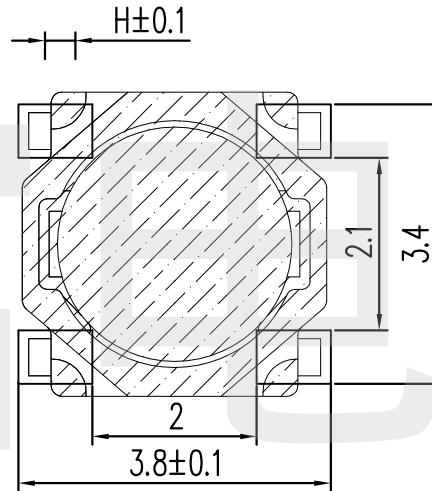
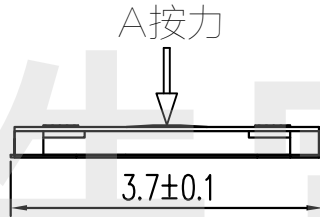


客选	高度	PCS/盘
	H=0.4mm	10000

客选	按力规格 A
	160 <sup>+40</sup> <sub>-20</sub> gf
	260 <sup>+40</sup> <sub>-20</sub> gf
	300 <sup>+40</sup> <sub>-20</sub> gf



PCB板焊盘尺寸

电路图

NO.	NAME	MATERIAL	FINISHING
1	TERMINAL	phosphorous bronze	Silver plating
2	CASE	LCP	White
3	CONTACT	SUS301	Silver plating
4	Waterproof membrane	PI	Yellow

SPECIFICATIONS	
Operating temperature rangs	-30° to +85°
Rating	DC 12V 50mA Max.
Lifetime	50000 Cycles min
Contact Resistance	100mΩ Max
Dielectric strength	250V AC for 1min.
Travel	0.15±0.1mm
Solder temperature	255±5°

HADFU ELECTRONCS TECHNOLOGY CO.,LTD

COPYRIGHT RESERVED,PLEASE DO NOT COPY.

PART NAME		SWITCH		DRAWING	Y,C,ZHANG	DWG.No.	SBICL
PART NO.		TD-1832UR		CHECK	G.C.Chen	REV.	A1
UNIT : mm	TOLERANCE	UP TO 5 ABOVE 5 ~30	±0.2 ±0.3	APPROVAL	SCALE	DATE	
	OTHERWISE	ABOVE 30 ANGLE	±0.5 ±3°			PAGE	1 OF 1