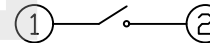
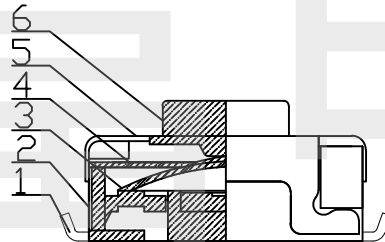
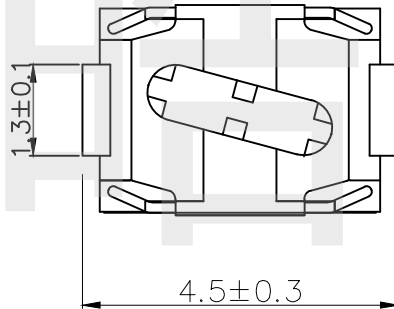


P . C . B LAYOUT



CIRCUIT DIAGRAM

height	model selection
H=1.8mm	
H=2.0mm	
H=2.5mm	
H=3.0mm	

Operating force	model selection
160gf±40gf	
260gf±50gf	
350gf±50gf	

NO.	NAME	MATERIAL	QTY	REMARK
1	TERMINAL	C5191	1	Ag plating(0.2 μm min)
2	CASE	LCP	1	grey
3	CONTACT	SUS301	2	Ag plating(0.3 μm min)
4	DUSTPROOF FILM	PI	1	Yellow
5	COVER	SUS	1	natural color
6	STEM	LCP	1	grey

SPECIFICATIONS	
Operating temperature range	-30° to +85°
Rating	DC 12V 50mA Max.
Contact Resistance	100mΩ Max
Dielectric strength	250V AC for 1min.
insulation resistance	100mΩ Min. 100V DC
Travel	0.18±0.05mm
Operating Life(cycles)	100 000 CYCLES

HAOFU ELECTRONCS TECHNOLOGY CO.,LTD

COPYRIGHT RESERVED,PLEASE DO NOT COPY.

PART NAME		SWIYCH		DRAWING		Y,C,ZHANG		DWG.No.		SBICL	
PART NO.		TD-1807UN		CHECK		G.C.Chen		REV.		A1	
UNIT : mm	TOLERANCE	UP TO 5	±0.2	ANGLE	APPROVAL	SCALE	DATE	PAGE	1 OF 1		
	OTHERWISE	ABOVE 5~30	±0.3							0°±3'	