

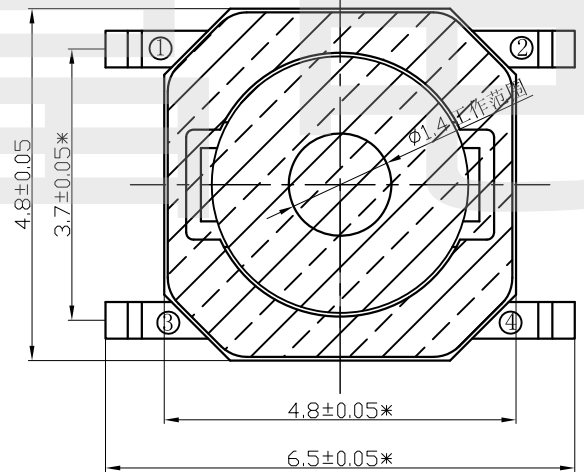
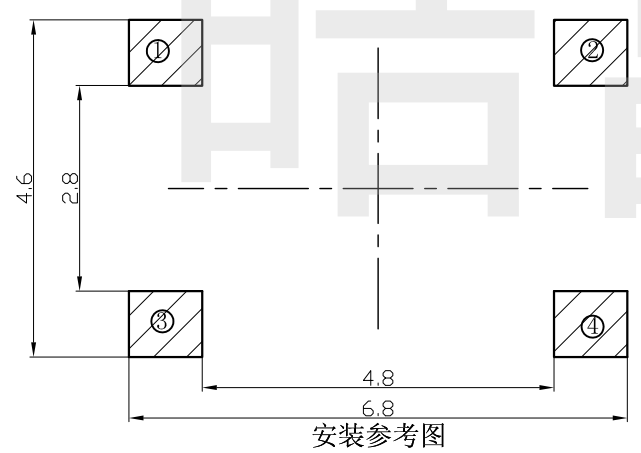
原理图

主要技术规格:

1. 额定值: 0.5A DC12V
2. 接触电阻: 50mΩ
3. 操作力: 180/250±50gf
4. 绝缘电阻: 100MΩ
5. 抗电强度: 250V 50HZ 1Min
6. 寿命: 50000 Cycles

材料:

- A接触脚: 黄铜 (镀银)
- B基座: LCP(黑色)
- C簧片: 不锈钢 (镀银)
- D防水胶: PI(黄色)



HAOFU ELECTRONICS TECHNOLOGY CO.,LTD

COPYRIGHT RESERVED,PLEASE DO NOT COPY.

PART NAME		TACT SWITCH		DRAWING		Y,C,ZHANG		DWG.No.		SBICL	
PART NO.		TD-24XA		CHECK		G.C.Chen		REV.		A1	
UNIT :	TOLERANCE OTHERWISE	UP TO 5	±0.2	ANGLE	APPROVAL		DATE		PAGE		
		ABOVE 5~30	±0.3								
mm		ABOVE 30	±0.5	0°±3'	SCALE		2:1		1 OF 1		