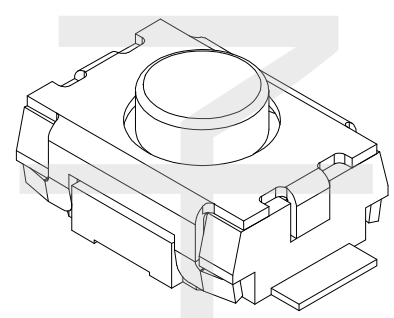
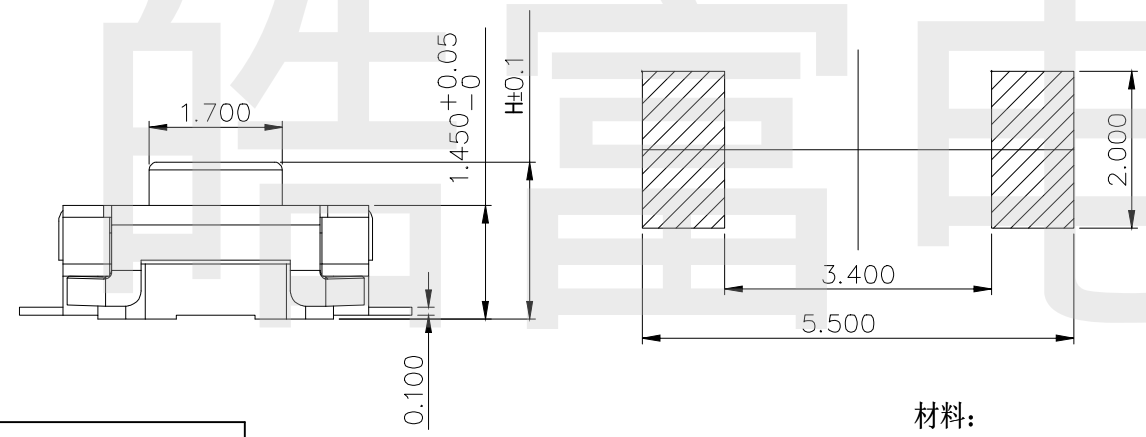
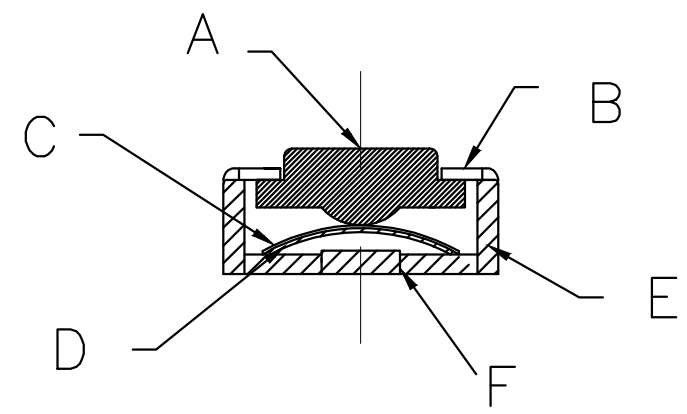
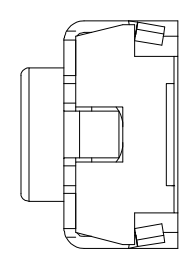
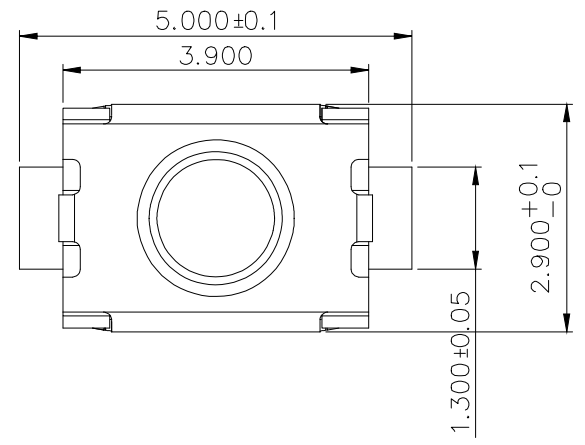
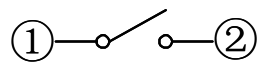


RoHS
Compliant



MODLE	
PART NO	H
A	2.0
B	2.5



材料:
 A按钮: PA46(黑色)
 B盖板: 不锈钢(白色)
 C内膜: 聚酰亚胺(杜邦)(黄色)
 D接触簧片: 复银不锈钢(银白色镶银)
 E基座: LCP(黑色)
 F嵌件: 磷铜(镀银与白色)

- 主要技术规格:
1. 额定值: 50mA
 2. 接触电阻: $\leq 50m\Omega$
 3. 操作力: $200gf \pm 50gf$
 4. 行程: $0.15 \pm 0.05mm$
 5. 绝缘电阻: $\geq 100M\Omega$
 6. 耐压强度: AC250V 50HZ/ 1Min.
 7. 寿命: 5万Cycles Min
 8. 额定电压: DC 12V

HAOFU ELECTRONCS TECHNOLOGY CO.,LTD

COPYRIGHT RESERVED,PLEASE DO NOT COPY.

PART NAME		SWITCH		DRAWING		Y,C,ZHANG		DWG.No.		SBICL	
PART NO.		TD-1807SN		CHECK		G.C.Chen		REV.		A1	
	UNIT :	TOLERANCE	UP TO 5	± 0.2	ANGLE	APPROVAL		DATE		PAGE	
	mm		OTHERWISE	ABOVE 5~30							
			ABOVE 30	± 0.5	SCALE		2:1		1 OF 1		