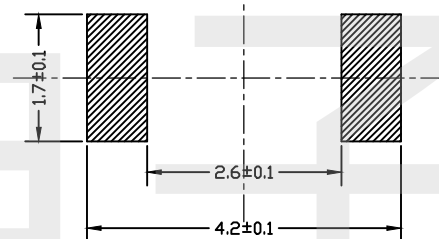
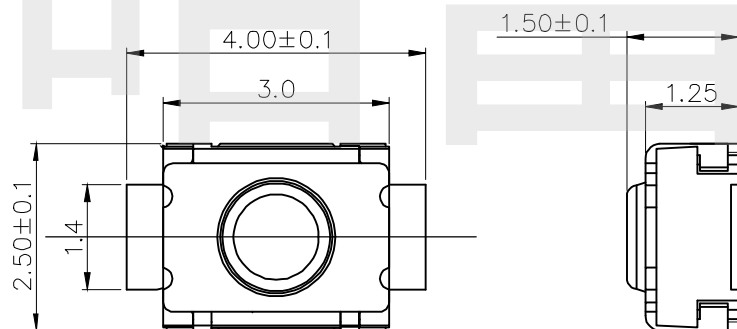


电路图

安装参考图



材料:

- A底座: LCP4009 (白色)
- B卡件: C5191磷铜 (镀银)
- C簧片: 不锈钢 (镀银)
- D内薄膜: 进口聚酰亚胺 (灰色)
- E桃心: PA46无卤 (灰色)
- F盖板: 不锈钢301 (清洗)

主要技术规格:

1. 额定值: 50mA DC12V
2. 接触电阻: 50mΩ
3. 操作力: 160gf±50gf
4. 行程: 0.13+0.05mm
5. 绝缘电阻: 100MΩ
6. 抗电强度: 250V 50HZ 1Min.
7. 寿命: 10万Cycles

HADFU ELECTRONCS TECHNOLOGY CO.,LTD

COPYRIGHT RESERVED,PLEASE DO NOT COPY.

PART NAME		SWITCH			DRAWING	Y,C,ZHANG	DWG.No.	SBICL
PART NO.		TD-1822SN			CHECK	G.C.Chen	REV.	A1
	UNIT :	TOLERANCE	UP TO 5	±0.2	ANGLE	APPROVAL	DATE	
			OTHERWISE	ABOVE 5~30				
	mm		ABOVE 30	±0.5		SCALE	PAGE	1 OF 1