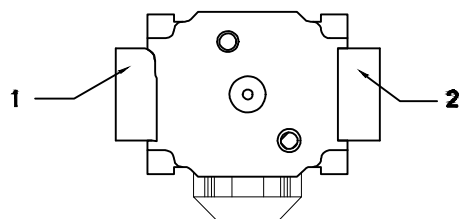
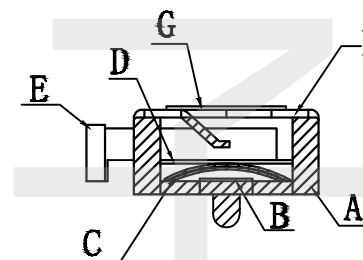
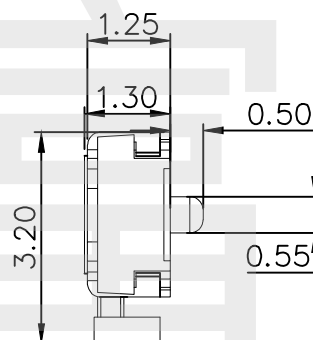
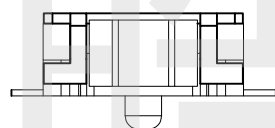
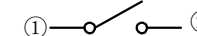


原理图



材料:

- A底座:LCP (白色)
- B卡件:磷铜 (镀银)
- C簧片: 不锈钢 (镀银)
- D内薄膜: 进口聚酰亚胺(黄色)
- E桃心: 进口尼龙 (灰色)
- F盖板: 不锈钢301 (清洗)
- G外薄膜: 进口聚酰亚胺(黄色)

主要技术规格:

1. 额定值: 50mA DC12V
2. 接触电阻: 50mΩ
3. 操作力: 200gf±50gf
4. 行程: 0.3±0.05mm
5. 绝缘电阻: 100MΩ
6. 抗电强度: 250V 50HZ 1Min.
7. 寿命: 5万Cycles

HAOFU ELECTRONICS TECHNOLOGY CO.,LTD

COPYRIGHT RESERVED,PLEASE DO NOT COPY.

PART NAME		SWITCH		DRAWING	Y,C,ZHANG	DWG.No.	SBICL
PART NO.		TD-1823SA		CHECK	G.C.Chen	REV.	A1
	UNIT :	TOLERANCE	UP TO 5	±0.2	APPROVAL	DATE	
			ABOVE 5~30	±0.3			
	mm	OTHERWISE	ABOVE 30	±0.5	SCALE	PAGE	1 OF 1
			ANGLE	±3'			