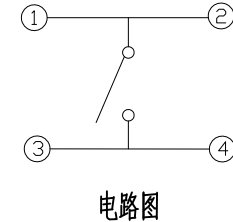
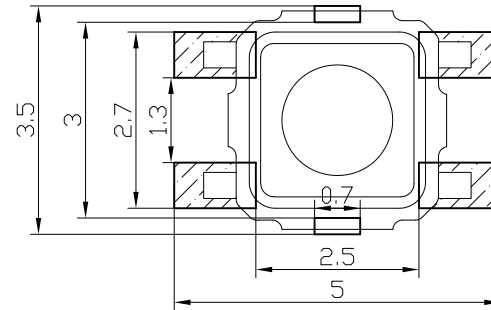
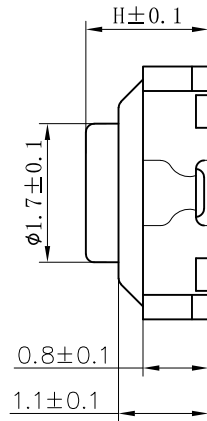
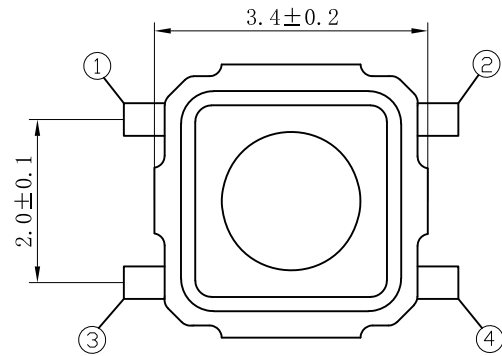
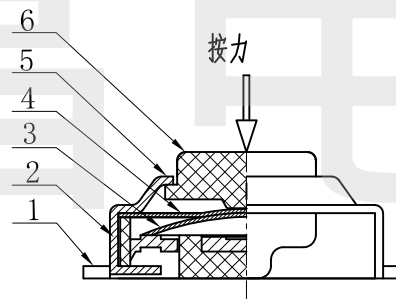
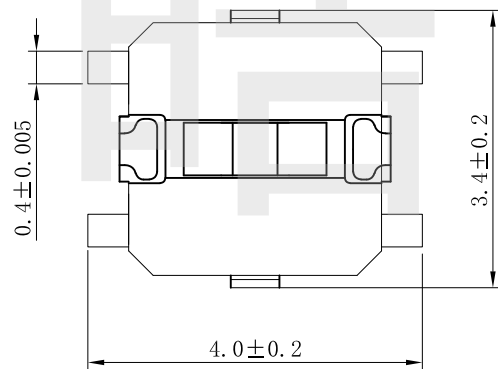


RoHS
Compliant



PCB 板尺寸



高度	PCS/盘
H=1.5mm	4000
H=1.6mm	4000
H=1.7mm	4000
H=2.0mm	4000
H=2.5mm	3000

NO.	NAME	MATERIAL	FINISHING
1	TERMINAL	phosphorous bronze	Silver plating
2	CASE	LCP	Black
3	CONTACT	SUS301	Silver plating
4	Waterproof membrane	PI	Yellow
5	COVER	SUS304	White
6	STEM	LCP	Black

SPECIFICATIONS			
Operating temperature ranges	-30° to +85°		
Rating	DC 12V 50mA Max.		
Contact Resistance	100mΩ Max		
Dielectric strength	250V AC for 1min.		
Travel	0.15±0.1mm		
Operating Force	1	2	3
	130±30gf	160±40gf	260±40gf
Operating Life(cycles)	50,000	100,000	100,000

HAOFU ELECTRONCS TECHNOLOGY CO.,LTD

COPYRIGHT RESERVED,PLEASE DO NOT COPY.

PART NAME		SWITCH		DRAWING		Y,C,ZHANG		DWG.No.		SBICL	
PART NO.		TD-54XA-H		CHECK		G.C.Chen		REV.		A1	
	UNIT :	TOLERANCE	UP TO 5	±0.2	ANGLE	APPROVAL		DATE			
	mm		OTHERWISE	ABOVE 5~30							
				SCALE		2:1		PAGE		1 OF 1	