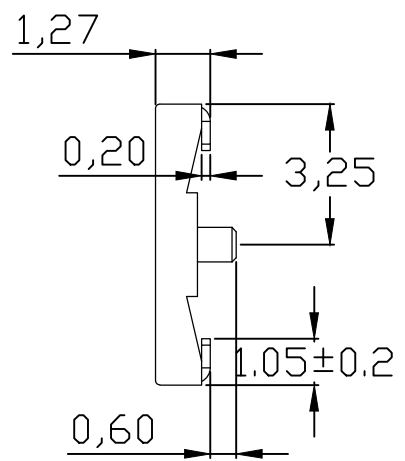
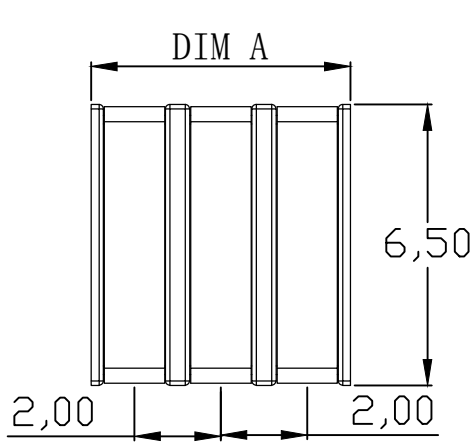
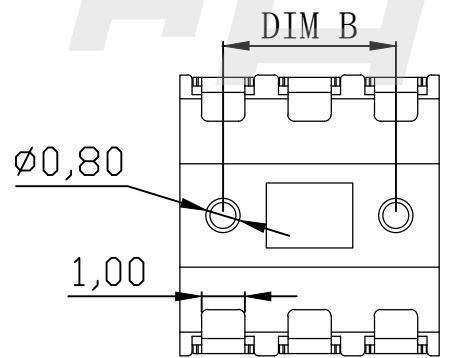
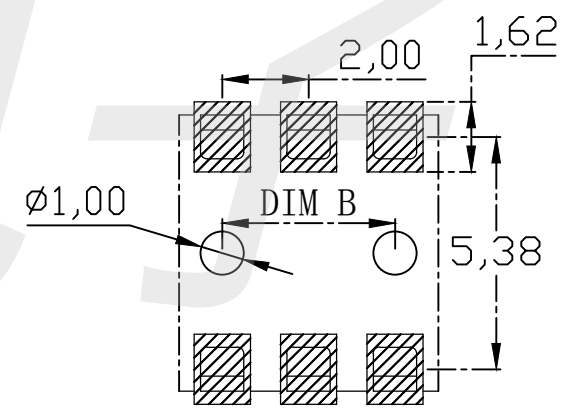
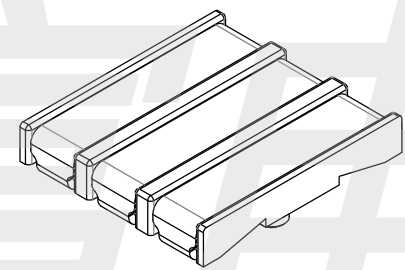
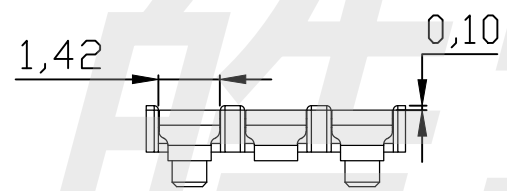


RoHS
Compliant



性能:
 额定电流: 5.0A
 额定电压: 30V
 耐电压: 500V
 接触电阻: 30mΩ
 绝缘电阻: 500MΩ
 工作温度: -55℃~+125℃
 使用寿命: 10000次以上
 塑件(材质): PA9T黑色
 接触点(材质): 黄铜C2680, 镀金



规格	DIM A	DIM B
BM2P20H127	4.0	
BM3P20H127	6.0	4.0
BM4P20H127	8.0	6.0
BM5P20H127	10.0	8.0
BM6P20H127	12.0	10.0
BM7P20H127	14.0	12.0
BM8P20H127	16.0	14.0

RECOMMENDED PCB LAYOUT
 TOP VIEW (. XX ± 0.05)

HADFU ELECTRONICS TECHNOLOGY CO.,LTD

COPYRIGHT RESERVED, PLEASE DO NOT COPY.

PART NAME		CONNECTOR		DRAWING	Y,C,ZHANG	DWG.No.	SBICL
PART NO.		BMNP20H127		CHECK	G.C.Chen	REV.	A1
UNIT : mm	TOLERANCE OTHERWISE	UP TO 5	±0.2	ANGLE	APPROVAL	DATE	11-04-2018
		ABOVE 5~30	±0.3				
		ABOVE 30	±0.5	0°±3'			
		ANGLE	±3'				

F E D C B A